

S.A. International

**TOWARDS
MANUFACTURING
EXCELLENCE**



www.sainternationalpro.com

I N D E X

BOLERO

| Sr. No | D E S C R I P T I O N | Page No. |
|--------|---------------------------------------|----------|
| SAI 01 | Front Bumper T/1 | 1 |
| SAI 02 | Front Bumper T/2 | 1 |
| SAI 03 | Front Bumper T/3 | 1 |
| SAI 04 | Front Bumper T/4 | 1 |
| SAI 05 | Front Grill Assy. T/1 (Faciya) | 1 |
| SAI 06 | Front Grill Assy. T/2 (Faciya) | 1 |
| SAI 07 | Front Bonnet Assy. | 2 |
| SAI 08 | Front Mudguard Assy. T/1 | 2 |
| SAI 09 | Front Mudguard Cover T/1 | 2 |
| SAI 10 | Front Mudguard Assy. T/2 | 2 |
| SAI 11 | Front Mudguard Cover T/2 | 2 |
| SAI 12 | Front Mudgurad Assy. T/4 (Power Plus) | 2 |
| SAI 13 | Front Diston Piece Universal | 2 |
| SAI 14 | Bonnet Lock Patti T/1 | 3 |
| SAI 15 | Bonnet Lock Patti T/2 | 3 |
| SAI 16 | Front Glass Frame Assy. | 3 |
| SAI 17 | Front Glass Frame Cover | 3 |
| SAI 18 | Front Glass Frame With Cowl | 3 |
| SAI 19 | Front Wiper Panel | 3 |
| SAI 20 | Glass Frame Self Patti | 3 |
| SAI 21 | Front Mirror Patti | 3 |
| SAI 22 | Glass Frame Side Support (Banduk) | 3 |
| SAI 23 | Glass Frame Pillar Outer (Hockey) | 3 |
| SAI 24 | Glass Pillar Assy. | 3 |
| SAI 25 | Glass Pillar Cover | 3 |
| SAI 26 | Glass Frame Chand Cona | 4 |
| SAI 27 | Front Top Cona | 4 |
| SAI 28 | Front Water Channel | 4 |
| SAI 29 | Front Water Channel OE | 4 |
| SAI 30 | Side Water Channel | 4 |
| SAI 31 | Side Handel Patti Inner | 4 |
| SAI 32 | Rear Water Channel | 4 |
| SAI 33 | Front Top Box Assy. | 4 |
| SAI 34 | Rear Top Box Assy. | 4 |
| SAI 35 | Rear Top Light Patti | 4 |
| SAI 36 | Rear Top Cona Water Channel | 5 |
| SAI 37 | Side Speaker Patra Inner | 5 |
| SAI 38 | Hawabari Assy. | 5 |
| SAI 39 | Door Upper Patti | 5 |
| SAI 40 | Front Door Assy. | 5 |
| SAI 41 | Front Door Cover | 5 |
| SAI 42 | Center Door Assy. | 5 |

I N D E X

BOLERO

| Sr. No | D E S C R I P T I O N | Page No. |
|--------|--|----------|
| SAI 43 | Center Door Cover | 5 |
| SAI 44 | Center Door Assy. Bo-XI | 5 |
| SAI 45 | Center Door Cover Bo-XI | 5 |
| SAI 46 | Running Board | 6 |
| SAI 47 | Center Running Board | 6 |
| SAI 48 | Center Running Board With Cona No 3 | 6 |
| SAI 49 | Center Running Board Bo-XI | 6 |
| SAI 50 | Center Running Board With Cona no3 Bo-XI | 6 |
| SAI 51 | Cona No 3 | 6 |
| SAI 52 | Running Board Inner Support | 6 |
| SAI 53 | Center Door Pillar Assy. | 6 |
| SAI 54 | Center Door Pillar Cover | 6 |
| SAI 55 | Center Door Pillar Inner | 6 |
| SAI 56 | Full Side Outer | 6 |
| SAI 57 | Full Side Outer (Bo-Refresh) | 7 |
| SAI 58 | Rear Full Mudguard | 7 |
| SAI 59 | Full Side Outer (Bo-XI/Maha Max) | 7 |
| SAI 60 | Rear Half Mudguard | 7 |
| SAI 61 | Rear Full Mudguard (Bo-XI) | 7 |
| SAI 62 | Rear Half Mudguard (Bo-XI) | 7 |
| SAI 63 | Rear Half Mudguard O/E Ty. (Bo-XI) | 8 |
| SAI 64 | Rear Half Mudguard No.4 (Bo-XI) | 8 |
| SAI 65 | Rear Mudguard Inner (Jangla) | 8 |
| SAI 66 | Rear Mudguard Half Border | 8 |
| SAI 67 | Rear Mudguard Full Border | 8 |
| SAI 68 | Ring Gola Small (L/H) T/1 | 8 |
| SAI 69 | Ring Gola Big (R/H) T/1 | 8 |
| SAI 70 | Ring Gola Small (L/H) T/2 | 8 |
| SAI 71 | Ring Gola Big (R/H) T/2 | 8 |
| SAI 72 | Dicky Gola Small (L/H) | 8 |
| SAI 73 | Dicky Gola Big (R/H) | 9 |
| SAI 74 | Real Tail Light Pillar Assy. | 9 |
| SAI 75 | Real Tail Light Pillar Outer | 9 |
| SAI 76 | Real Tail Light Pillar Inner | 9 |
| SAI 77 | Dicky Door Assy. | 9 |
| SAI 78 | Dicky Door Cover | 9 |
| SAI 79 | Dicky Panel | 9 |
| SAI 80 | Dicky Panel Inner | 9 |
| SAI 81 | Rear Bumper T1 | 9 |
| SAI 82 | Rear Bumper T2 | 9 |
| SAI 83 | Engine Box Cover | 9 |
| SAI 84 | Engine Box Support (Ghoda) | 9 |

I N D E X

BOLERO

| Sr. No | D E S C R I P T I O N | Page No. |
|---------|-----------------------------|----------|
| SAI 85 | Front Engine Box Hig | 10 |
| SAI 86 | Front Flooring Assy. | 10 |
| SAI 87 | Center Flooring Assy. | 10 |
| SAI 88 | Center Flooring Assy. Bo-XI | 10 |
| SAI 89 | Rear Flooring Assy. | 11 |
| SAI 90 | Rear Flooring Assy. Bo-XI | 11 |
| SAI 91 | Gear Box Cover | 11 |
| SAI 92 | Diesel Tank Cover | 11 |
| SAI 93 | Diesel Khobla | 11 |
| SAI 94 | Roof Top SLX | 11 |
| SAI 95 | Roof Panel (Bo-XI) | 11 |
| SAI 96 | Roof Panel (Bo-Refresh) | 12 |
| SAI 97 | Rear Foot Step (Power Plus) | 12 |
| SAI 98 | Rear Foot Step | 12 |
| SAI 99 | Side Foot Step (Bo-XI) | 12 |
| SAI 100 | Side Foot Step | 12 |
| SAI 101 | Full Body SLX | 12 |
| SAI 102 | Full Body (Bo-XI) | 13 |
| SAI 103 | Full Body (Bo-Refresh) | 13 |

MARSHAL & ARMADA

| Sr. No | D E S C R I P T I O N | Page No. |
|---------|-----------------------------------|----------|
| SAI 201 | Front Bumper | 14 |
| SAI 202 | Front Mudguard Assy. | 14 |
| SAI 203 | Front Bonnet Assy. | 14 |
| SAI 204 | Front Grill Assy. | 14 |
| SAI 205 | Front Desk Board | 14 |
| SAI 206 | Meter Patra | 15 |
| SAI 207 | Front Glass Frame Assy. | 15 |
| SAI 208 | Front Glass Frame With Cowl Assy. | 15 |
| SAI 209 | Front Mirror Patti | 15 |
| SAI 210 | Front Top Box Assy. | 16 |
| SAI 211 | Glass Pillar Assy. | 16 |
| SAI 212 | Glass Pillar Cover | 16 |
| SAI 213 | Front Top Gutter Cona | 16 |
| SAI 214 | Rear Bumper Cona (Set-2) | 16 |
| SAI 215 | Hawabari Assy. | 16 |
| SAI 216 | Rear Bumper (Set-2) | 16 |
| SAI 217 | Front Engine Box (Hig) | 16 |
| SAI 218 | Gear Box Cover | 16 |
| SAI 219 | Diesel Dhankan (Armada) | 16 |
| SAI 220 | Diesel Khobla | 16 |
| SAI 221 | Mudguard Corner Outer | 16 |

I N D E X

MARSHAL & ARMADA

| Sr. No | D E S C R I P T I O N | Page No. |
|---------|-----------------------|----------|
| SAI 222 | Mudguard Corner Inner | 16 |
| SAI 223 | Side Foot Step | 17 |
| SAI 224 | Rear Foot Step | 17 |
| SAI 225 | Roof Top | 17 |
| SAI 226 | Full Body Assy. | 17 |

MAXX & MAHA MAXX

| Sr. No | D E S C R I P T I O N | Page No. |
|---------|--|----------|
| SAI 301 | Front Grill Assy. | 18 |
| SAI 302 | Front Grill Assy. Turbo | 18 |
| SAI 303 | Front Mudguard Assy. | 18 |
| SAI 304 | Mudguard Cona Outer | 18 |
| SAI 305 | Front Glass Frame Assy. | 18 |
| SAI 306 | Front Glass Frame With Cowl | 18 |
| SAI 307 | Glass Pillar Assy. | 18 |
| SAI 308 | Hawabari Assy. | 18 |
| SAI 309 | Glass Frame Mirror Patti | 19 |
| SAI 310 | Front Top Box Assy. | 19 |
| SAI 311 | Side Water Channel (Bo/XI /Maha Max) | 19 |
| SAI 312 | Rear Tail Light Pcs. Assy. | 19 |
| SAI 313 | Rear Tail Light Pcs Cover | 19 |
| SAI 314 | Rear Tail Light Pcs Inner | 19 |
| SAI 315 | Rear Bumper Tukda (Set-2) | 19 |
| SAI 316 | Rear Bumper Corner (Set-2) | 19 |
| SAI 317 | Roof Panel (Max & Maha Max) | 20 |
| SAI 318 | Rear Mudguard Full Border (Bo-XI/Maha Max) | 20 |
| SAI 319 | Full Side Outer (Max) | 20 |
| SAI 320 | Full Body | 21 |
| SAI 321 | Full Body (Maha Max) | 21 |

BOLERO MAXI TRUCK PLUS

| Sr. No | D E S C R I P T I O N | Page No. |
|---------|--|----------|
| SAI 401 | Front Bumper | 22 |
| SAI 402 | BMT Front Grill Assy.(Faciya) | 22 |
| SAI 403 | Front Bumper Assy. | 22 |
| SAI 404 | Front Mudguard Assy. | 22 |
| SAI 405 | Front Mudguard Cover | 22 |
| SAI 406 | Diston Pic | 23 |
| SAI 407 | Hawabari Assy. | 23 |
| SAI 408 | Diesel Tank Cover | 23 |
| SAI 409 | Maxi Truck Plus Body Assy. (Bo/Pickup) | 23 |

I N D E X

MARSHAL PICKUP, MAXX PICKUP, BOLERO PICKUP

| Sr. No | D E S C R I P T I O N | Page No. |
|---------|---|----------|
| SAI 501 | Marshal,Maxx Pickup Roof Panel | 24 |
| SAI 502 | Bolero Pickup Roof Panel | 24 |
| SAI 503 | Marshal,Maxx Pickup Door Pillar Assy. | 24 |
| SAI 504 | Marshal,Maxx Pickup Door Pillar Cover | 24 |
| SAI 505 | Marshal,Maxx Pickup Door Pillar Inner | 24 |
| SAI 506 | Bolero Pickup Door Pillar Assy. | 24 |
| SAI 507 | Bolero Pickup Door Pillar Cover | 24 |
| SAI 508 | Bolero Pickup Door Pillar Inner | 24 |
| SAI 509 | Marshal,Maxx Pickup Center Flooring Assy. | 24 |
| SAI 510 | Bolero Pickup Center Flooring Assy. | 24 |
| SAI 511 | Running Board Inner Support | 24 |
| SAI 512 | Marshal,Maxx Pickup Front Flooring With Center Flooring Assy. | 25 |
| SAI 513 | Bolero Pickup Front Flooring With Center Flooring Assy. | 25 |
| SAI 514 | Handel Patti Inner | 25 |
| SAI 515 | Side Water Channel | 25 |
| SAI 516 | Rear Window Ring | 25 |
| SAI 517 | Rear Window Back Assy. | 25 |
| SAI 518 | Rear Window Back | 25 |
| SAI 519 | Body Assy. Pickup | 26 |
| SAI 520 | Body Assy. (Maxx Pickup) | 26 |
| SAI 521 | Body Assy. (Bo-Pickup) | 26 |

BOLERO CAMPER N/M O/M & UTILITY

| Sr. No | D E S C R I P T I O N | Page No. |
|---------|------------------------|----------|
| SAI 601 | Rear Door Pillar Assy. | 27 |
| SAI 602 | Rear Door Pillar Outer | 27 |
| SAI 603 | Rear Door Pillar Inner | 27 |
| SAI 604 | Rear Door Pillar Patch | 27 |
| SAI 605 | Roof Panel (O/M & N/M) | 27 |
| SAI 606 | Side Foot Step | 27 |
| SAI 607 | Utility Body Assy. | 28 |
| SAI 608 | Full Body Camper O/M | 28 |
| SAI 609 | Full Body Camper N/M | 28 |

I N D E X

PICKUP & CAMPER TROLLY PARTS

| Sr. No | D E S C R I P T I O N | Page No. |
|---------|-----------------------|----------|
| SAI 701 | Tail Gate Assy. | 29 |
| SAI 702 | Tail Gate Cover | 29 |
| SAI 703 | Tail Light Assy. | 29 |
| SAI 704 | Tail Light Cover | 29 |
| SAI 705 | Tail Light Inner | 29 |
| SAI 706 | Rear Tyre Gola | 29 |
| SAI 707 | Tail Gate Panel | 29 |
| SAI 708 | Rear Tray Side Outer | 29 |
| SAI 709 | Rear Tray Side Inner | 30 |
| SAI 710 | Rear Tray Assy. | 30 |

CAMPER TROLLY PARTS

| Sr. No | D E S C R I P T I O N | Page No. |
|---------|-----------------------|----------|
| SAI 801 | Rear Tray Side Outer | 31 |
| SAI 802 | Rear Tyre Gola | 31 |
| SAI 803 | Rear Tray Assy. | 31 |

MAXX PICKUP TROLLY PARTS

| Sr. No | D E S C R I P T I O N | Page No. |
|---------|----------------------------|----------|
| SAI 901 | Rear Tail Light Pcs. Assy. | 32 |
| SAI 902 | Rear Tail Light Pcs. Cover | 32 |
| SAI 903 | Tail Gate Panel | 32 |
| SAI 904 | Tail Gate Assy. | 32 |
| SAI 905 | Rear Tray Side Outer | 32 |
| SAI 906 | Rear Tyre Gola | 32 |
| SAI 907 | Rear Tray Assy. | 32 |

FLATE PICKUP TROLLY PARTS

| Sr. No | D E S C R I P T I O N | Page No. |
|----------|----------------------------|----------|
| SAI 1001 | Rear Mahindra Panel | 33 |
| SAI 1002 | Rear Tail Light Pcs. Assy. | 33 |
| SAI 1003 | Rear Tail Gate Assy. | 33 |
| SAI 1004 | Mudflap Plate | 33 |
| SAI 1005 | Rear Side Panel Assy. | 33 |
| SAI 1006 | Rear Tray Assy. | 33 |
| SAI 1007 | Chassis Khobla (Set-12) | 33 |

I N D E X

MAXI TRUCK TROLLY PARTS

| Sr. No | D E S C R I P T I O N | Page No. |
|----------|------------------------|----------|
| SAI 1050 | Tray Side Assy. | 34 |
| SAI 1051 | Tail Gate Assy. | 34 |
| SAI 1052 | Chassis Khobla (Set-8) | 34 |
| SAI 1053 | Flooring Cover | 34 |
| SAI 1054 | Rear Tray Assy. | 34 |

SCORPIO

| Sr. No | D E S C R I P T I O N | Page No. |
|----------|-----------------------------|----------|
| SAI 1101 | Front Bonnet Assy.T/1 | 35 |
| SAI 1102 | Front Bonnet Assy. (M.Hawk) | 35 |
| SAI 1103 | Front Mudguard T/1 | 35 |
| SAI 1104 | Front Mudguard T/2 | 35 |
| SAI 1105 | Tie Member | 35 |
| SAI 1106 | Bumper Bracket T/1 | 36 |
| SAI 1107 | Bumper Bracket (M.Hawk) | 36 |
| SAI 1108 | Front Water Channel | 36 |
| SAI 1109 | Front Glass Pillar Outer | 36 |
| SAI 1110 | Front Glass Pillar Inner | 36 |
| SAI 1111 | Front Glass Pillar Assy. | 36 |
| SAI 1112 | Hockey Pillar | 36 |
| SAI 1113 | Bandok Patra (Apron Patch) | 36 |
| SAI 1114 | Apron Assy. | 37 |
| SAI 1115 | Front Running Board | 37 |
| SAI 1116 | Side Foot Step | 37 |
| SAI 1117 | Side Foot Step (M-Hawk) | 37 |

S.A. International



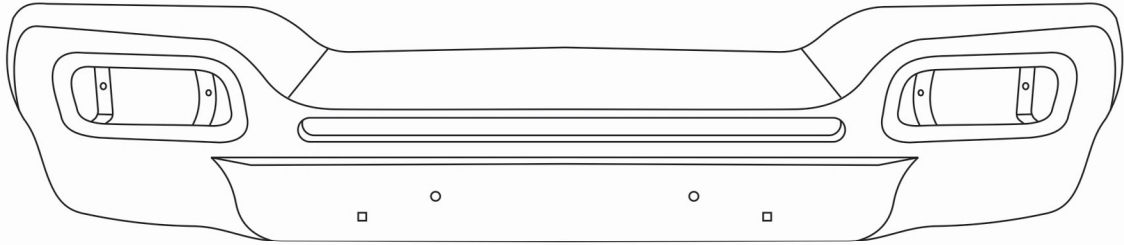
TOWARDS
MANUFACTURING
EXCELLENCE

BOLERO

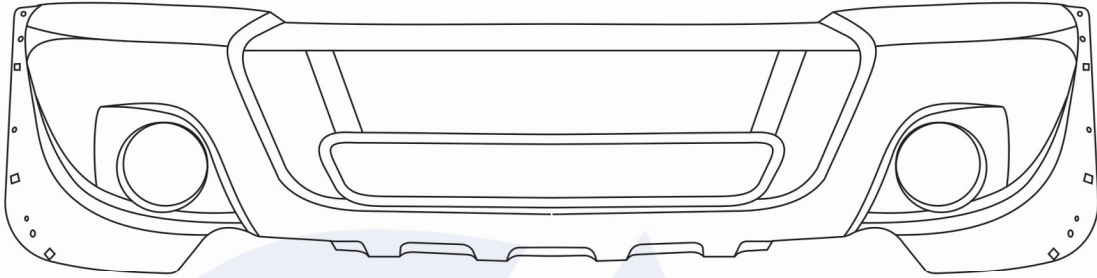


www.sainternationalpro.com

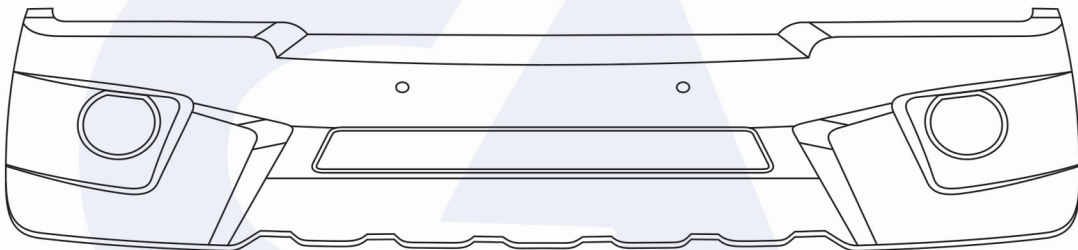
BOLERO



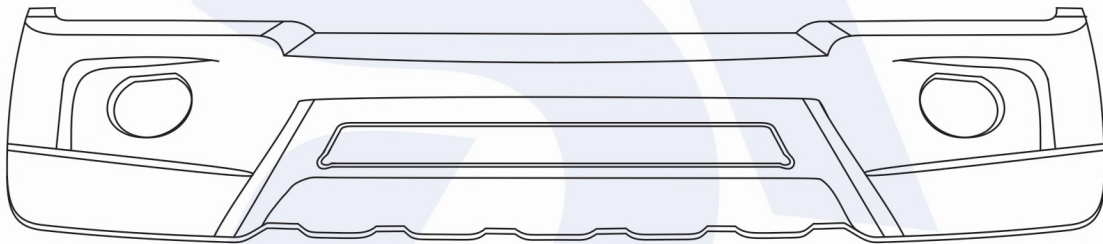
SAI 01 Front Bumper T/1



SAI 02 Front Bumper T/2



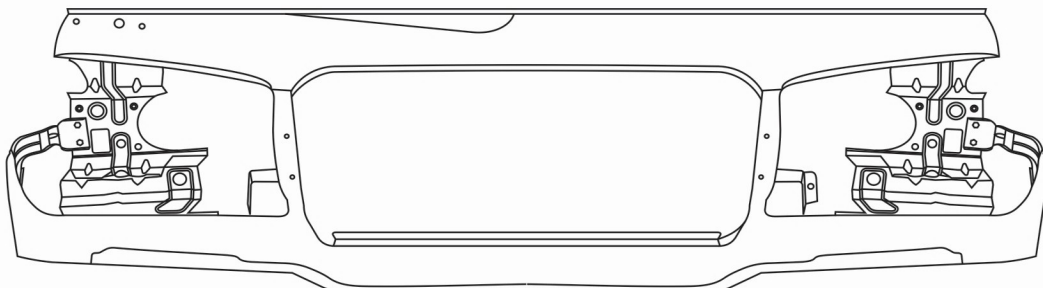
SAI 03 Front Bumper T/3



SAI 04 Front Bumper T/4

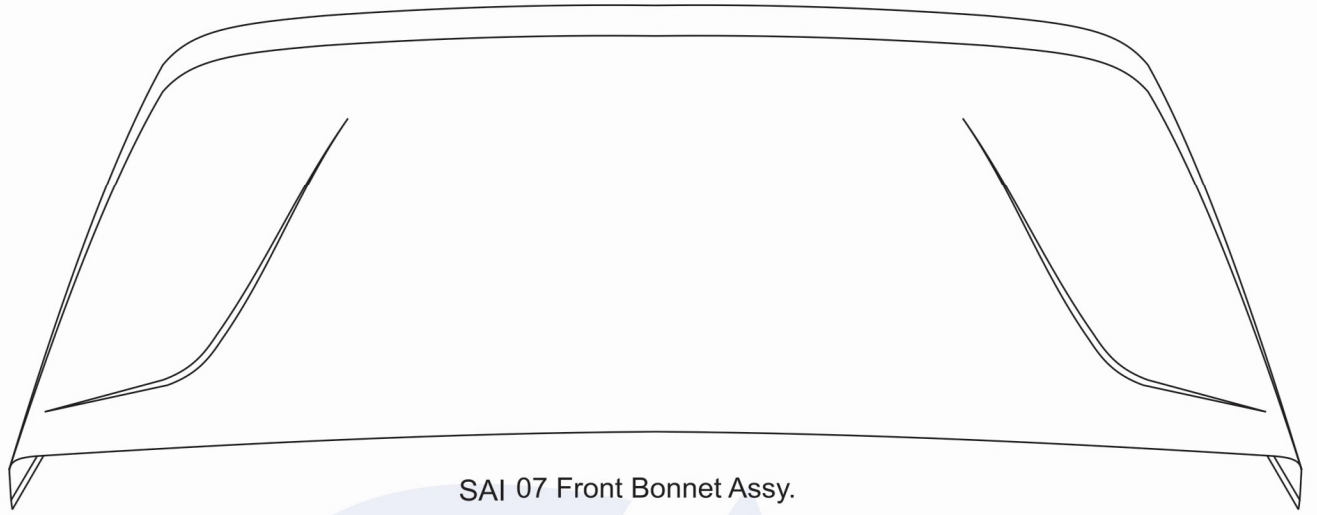


SAI 05 Front Grill Assy. T/1 (Faciya)

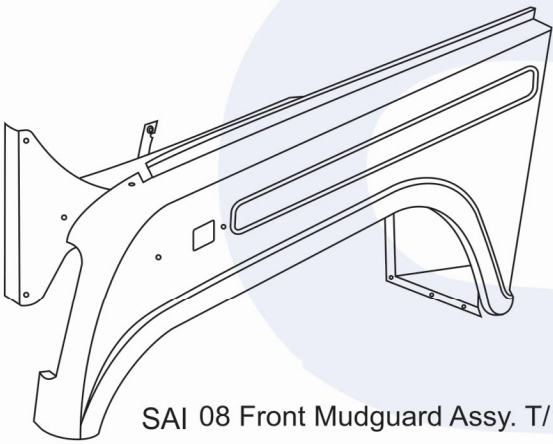


SAI 06 Front Grill Assy. T/2 (Faciya)

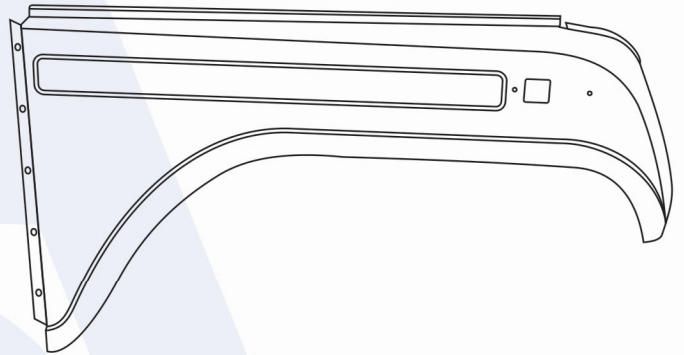
BOLERO



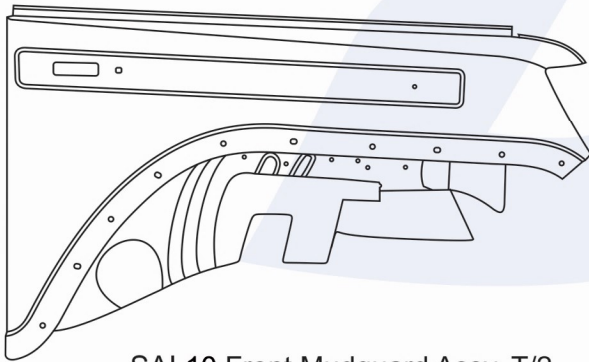
SAI 07 Front Bonnet Assy.



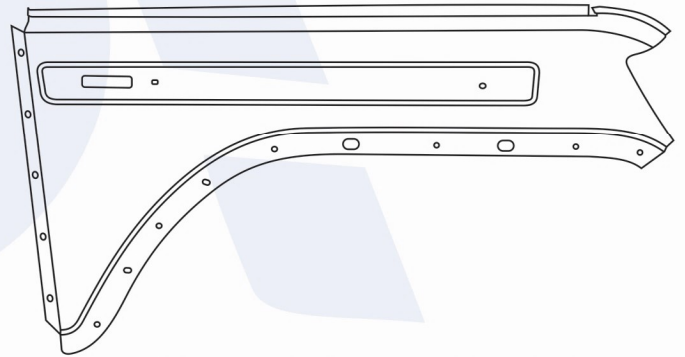
SAI 08 Front Mudguard Assy. T/1



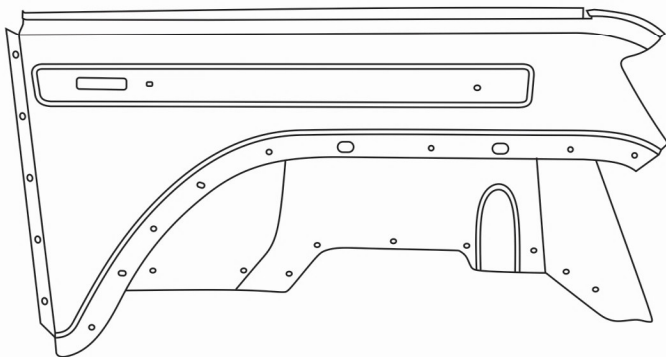
SAI 09 Front Mudguard Cover T/1



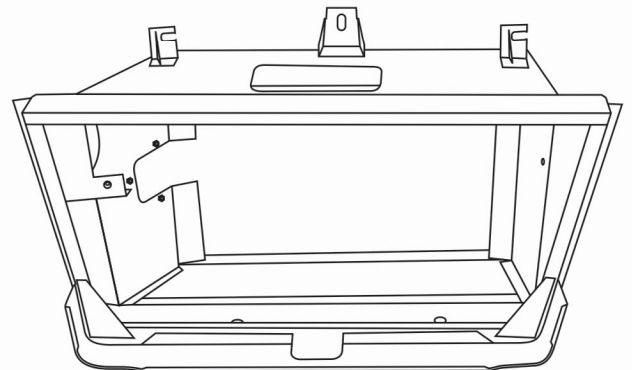
SAI 10 Front Mudguard Assy. T/2



SAI 11 Front Mudguard Cover T/2

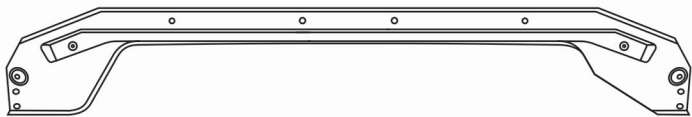


SAI 12 Front Mudguard Assy. T/4 (Power Plus)

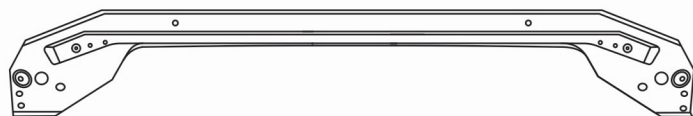


SAI 13 Front Diston Piece Universal

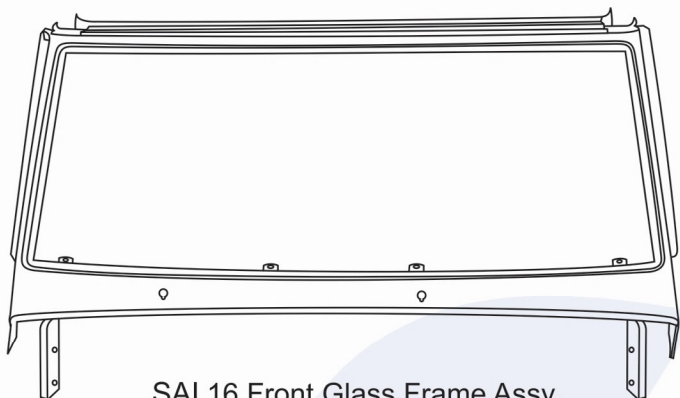
BOLERO



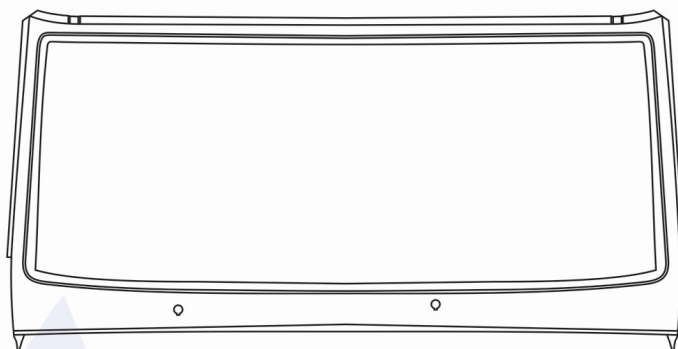
SAI 14 Bonnet Lock Patti T/1



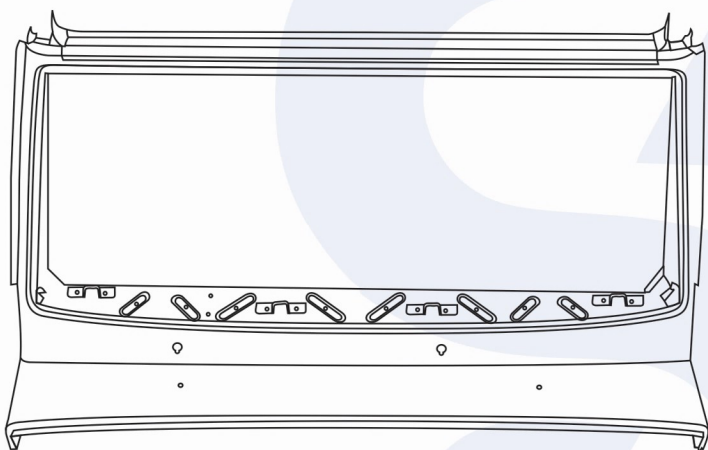
SAI 15 Bonnet Lock Patti T/2



SAI 16 Front Glass Frame Assy.



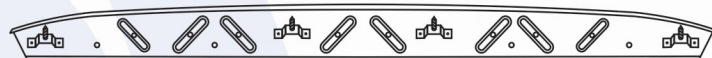
SAI 17 Front Glass Frame Cover



SAI 18 Front Glass Frame With Cowl



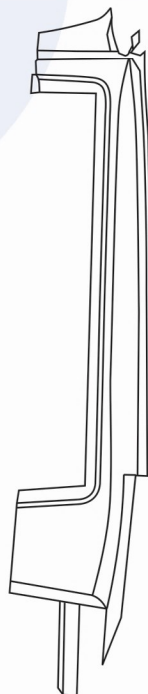
SAI 19 Front Wiper Panel



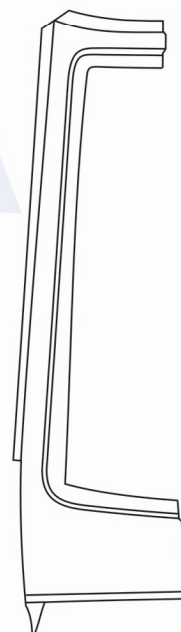
SAI 20 Glass Frame Self Patti



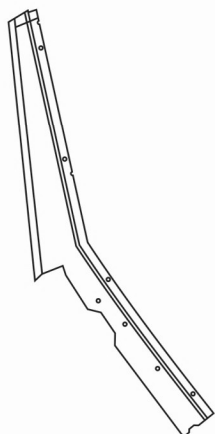
SAI 21 Front Mirror Patti



SAI 24 Glass Pillar Assy.



SAI 25 Glass Pillar Cover

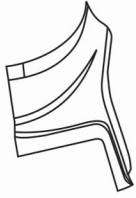


SAI 22 Glass Frame Side Support (Banduk)

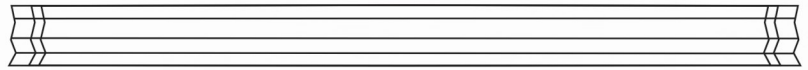


SAI 23 Glass Frame Pillar Outer (Hockey)

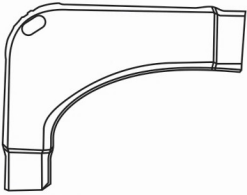
BOLERO



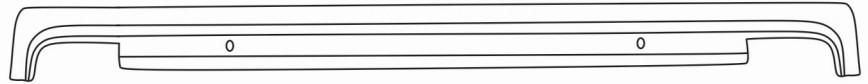
SAI 26 Glass Frame
Chand Cona



SAI 28 Front Water Channel



SAI 27 Front Top Cona



SAI 29 Front Water Channel OE



SAI 30 Side Water Channel



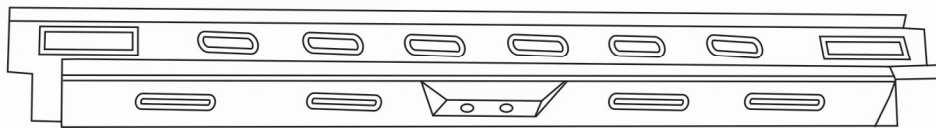
SAI 31 Side Handel Patti Inner



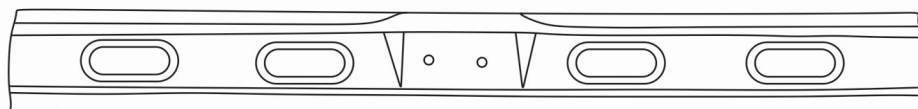
SAI 32 Rear Water Channel



SAI 33 Front Top Box Assy.

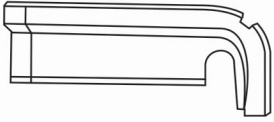


SAI 34 Rear Top Box Assy.

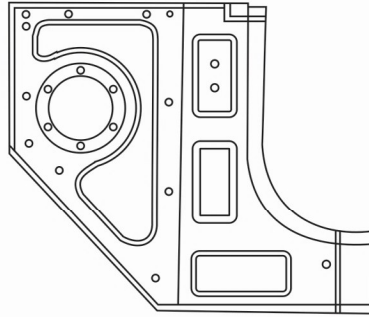


SAI 35 Rear Top Light Patti

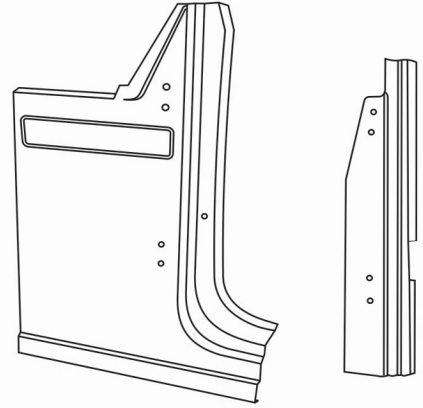
BOLERO



SAI 36 Rear Top
Cona Water Channel



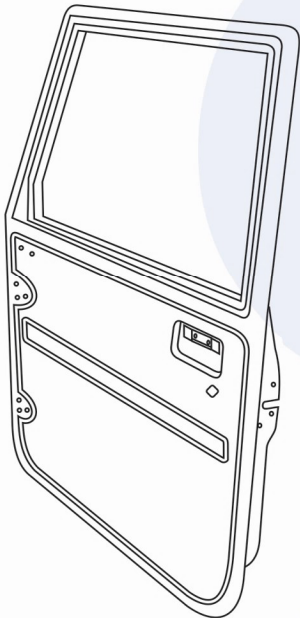
SAI 37 Side Speaker Patra Inner



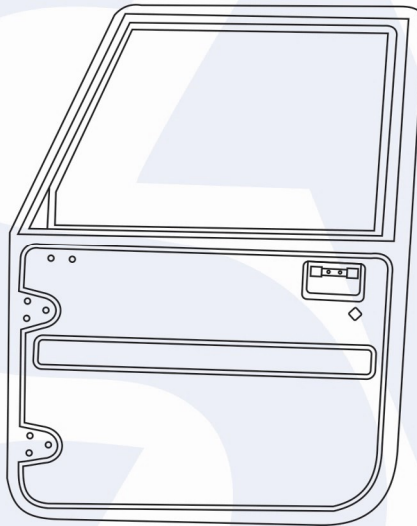
SAI 38 Hawabari Assy.



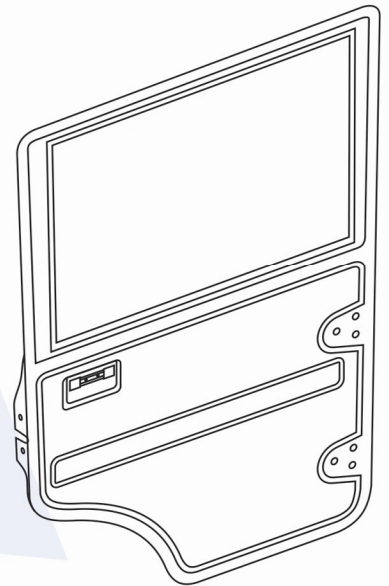
SAI 39 Door Upper Patti



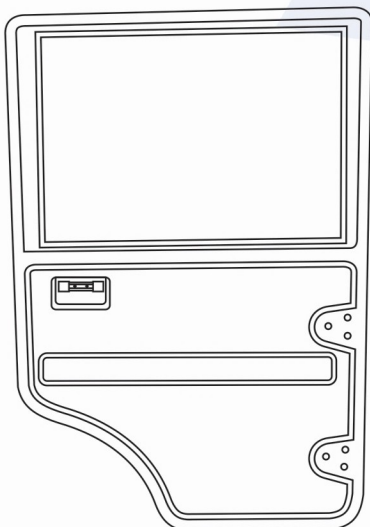
SAI 40 Front Door Assy.



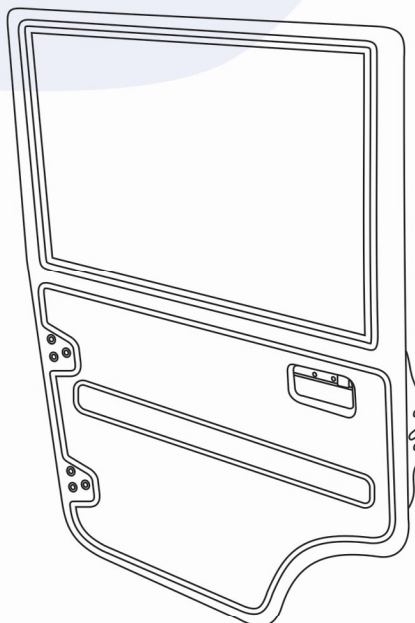
SAI 41 Front Door Cover



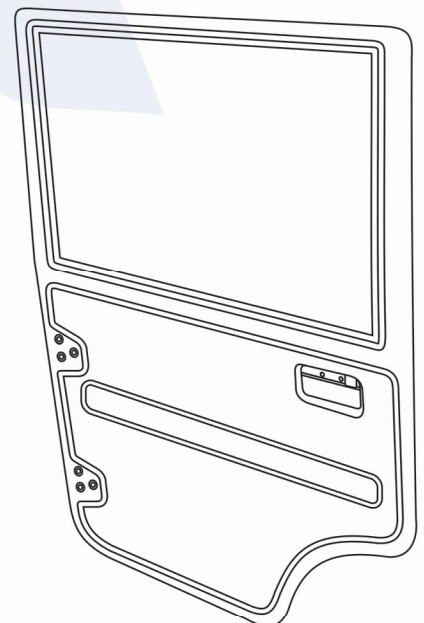
SAI 42 Center Door Assy.



SAI 43 Center Door Cover

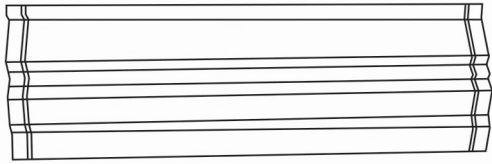


SAI 44 Center Door Assy. Bo-XI

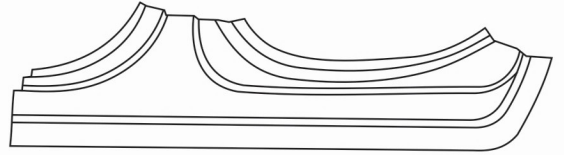


SAI 45 Center Door Cover Bo-XI

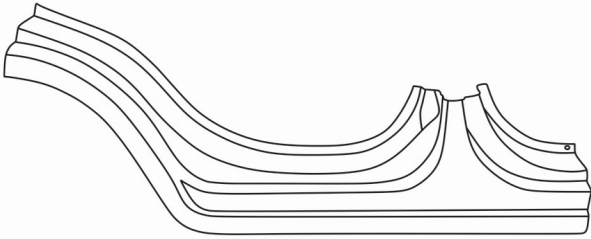
BOLERO



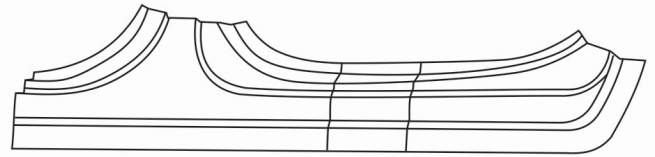
SAI 46 Running Board



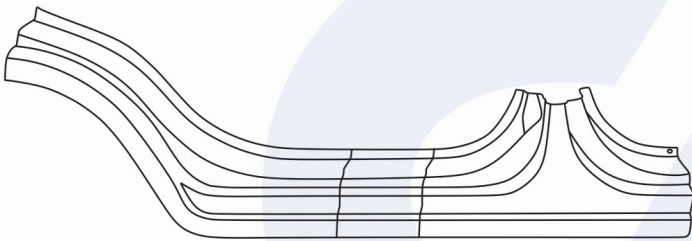
SAI 47 Center Running Board



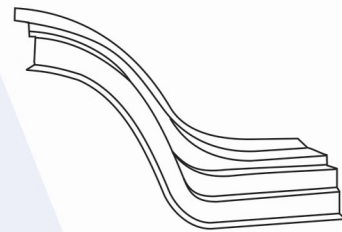
SAI 48 Center Running Board with Cona No 3



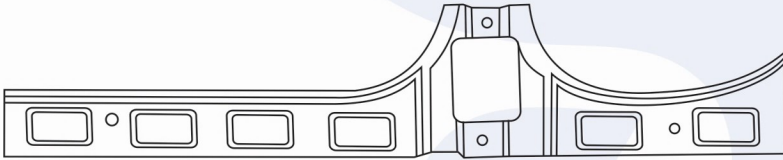
SAI 49 Center Running Board Bo-XI



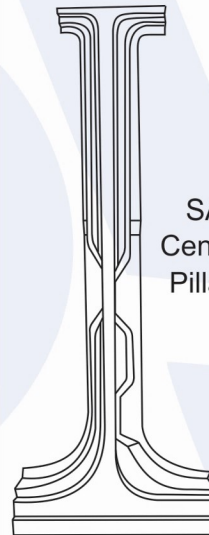
SAI 50 Center Running Board with Cona no3 Bo-XI



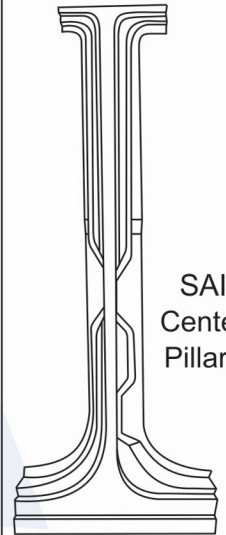
SAI 51 Cona No 3



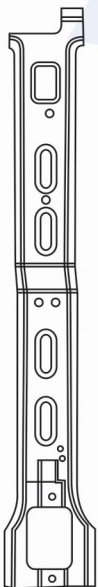
SAI 52 Running Board Inner Support



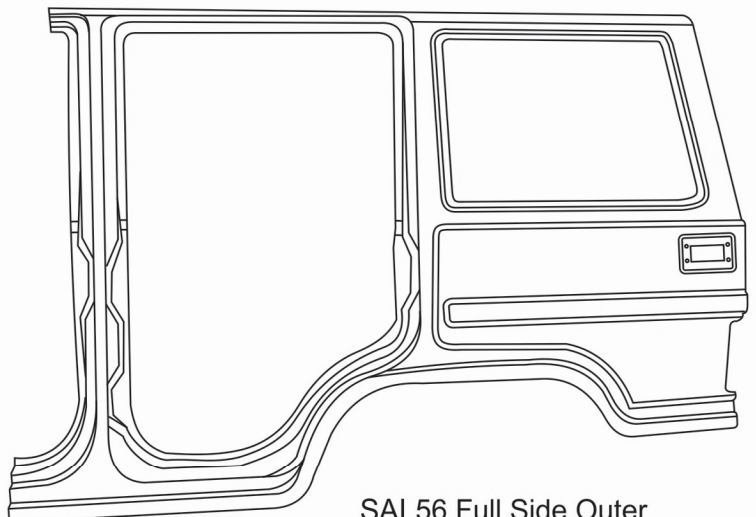
SAI 53
Center Door
Pillar Assy.



SAI 54
Center Door
Pillar Cover

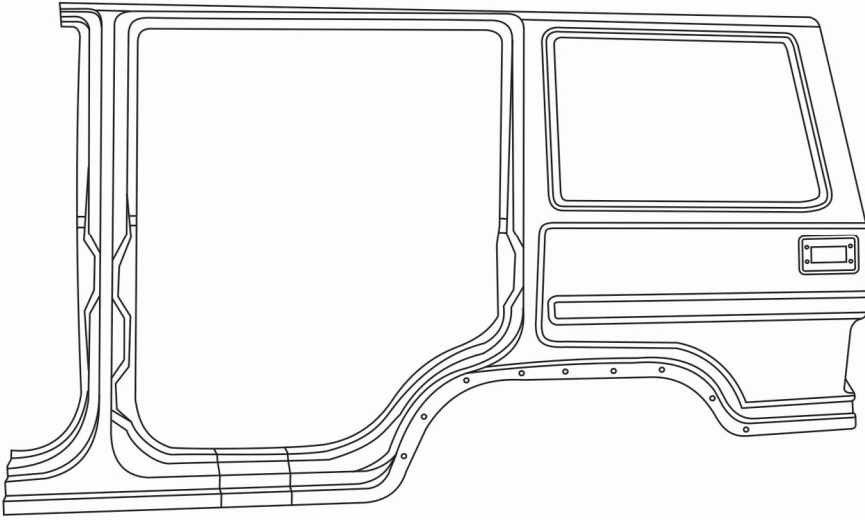


SAI 55 Center Door Pillar Inner

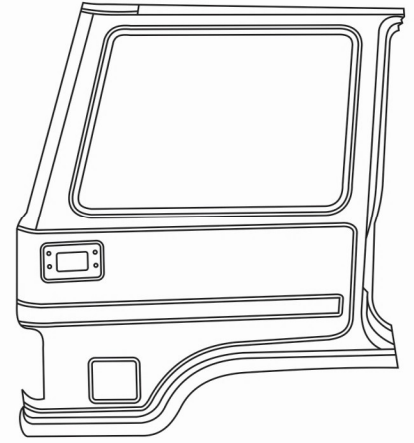


SAI 56 Full Side Outer

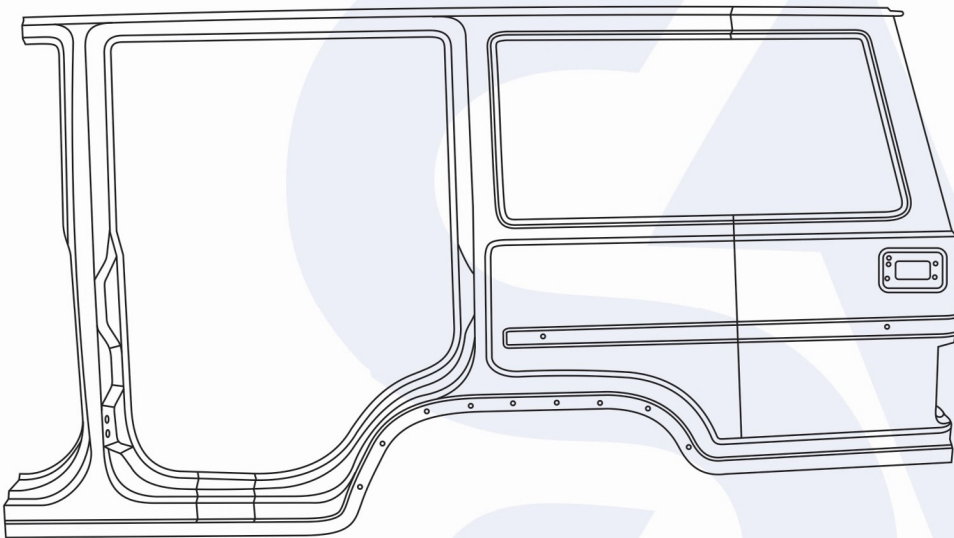
BOLERO



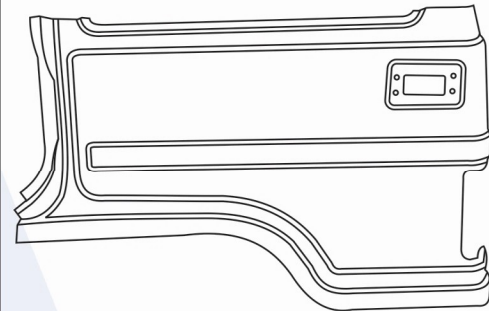
SAI 57 Full Side Outer (Bo-Refresh)



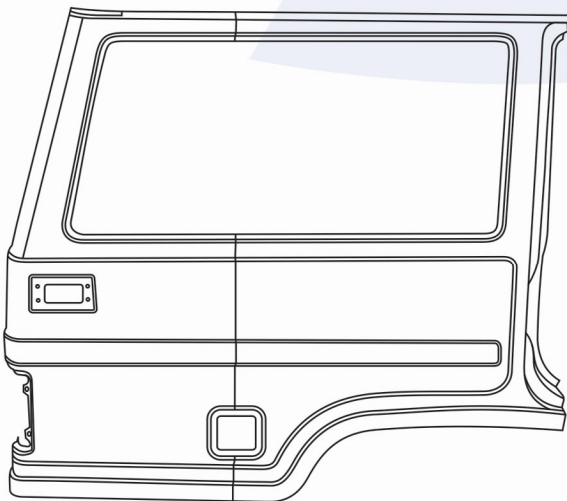
SAI 58 Rear Full Mudguard



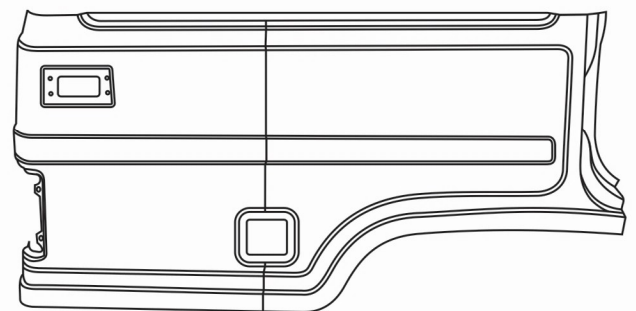
SAI 59 Full Side Outer (Bo-XI / Maha Max)



SAI 60 Rear Half Mudguard

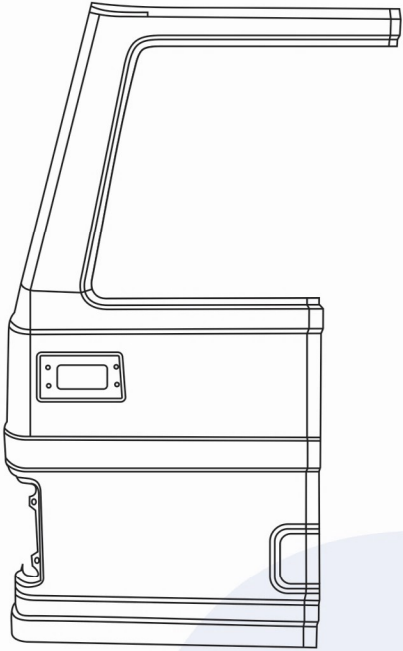


SAI 61 Rear Full Mudguard (Bo-XI)

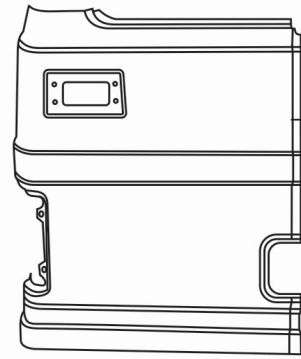


SAI 62 Rear Half Mudguard (Bo-XI)

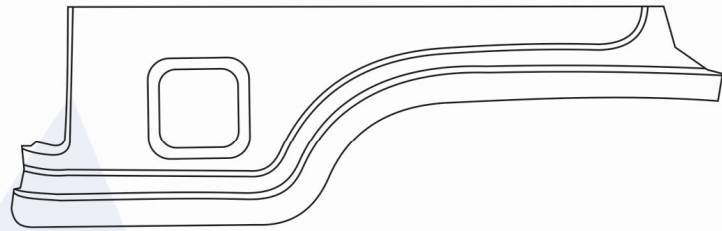
BOLERO



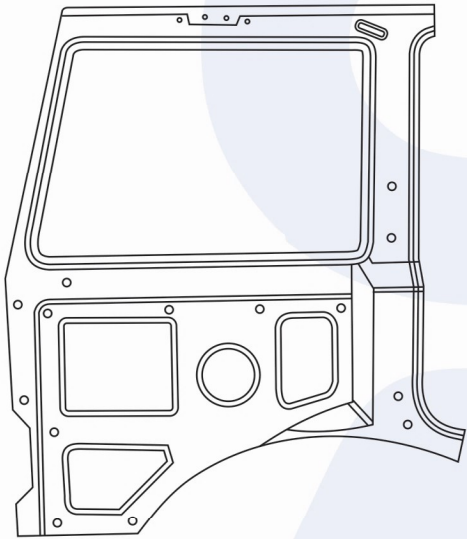
SAI 63 Rear Half Mudguard O/E Ty. (Bo-XI)



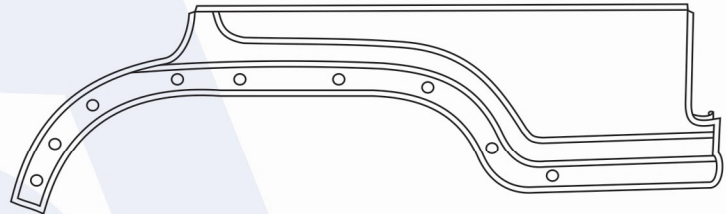
SAI 64 Rear Half Mudguard No.4 (Bo-XI)



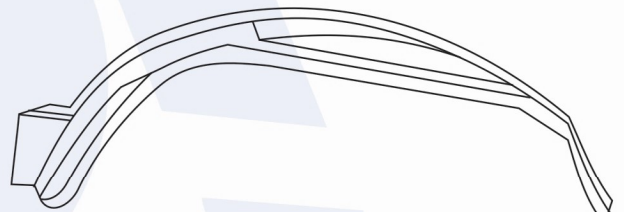
SAI 66 Rear Mudguard Half Border



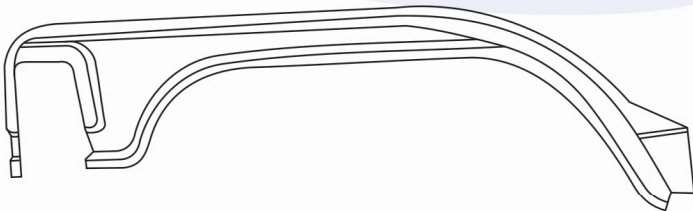
SAI 65 Rear Mudguard Inner (Jangla)



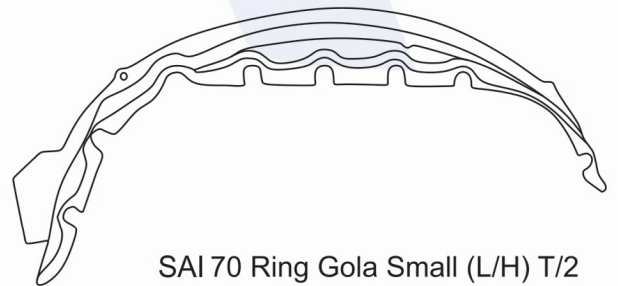
67 Rear Mudguard Full Border



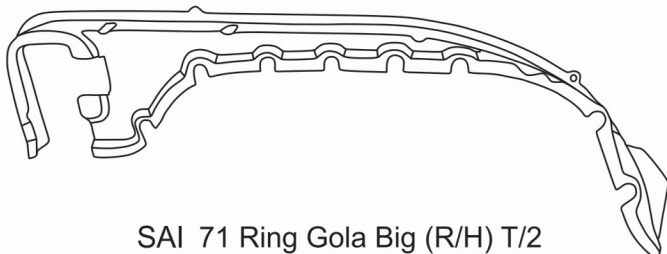
SAI 68 Ring Gola Small (L/H) T1



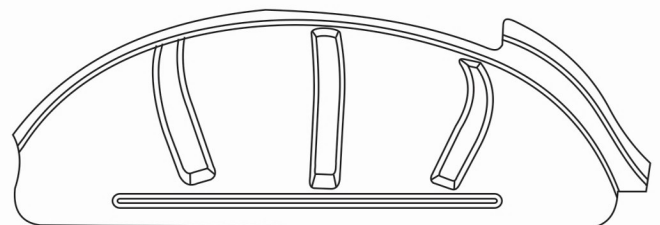
SAI 69 Ring Gola Big (R/H) T1



SAI 70 Ring Gola Small (L/H) T2

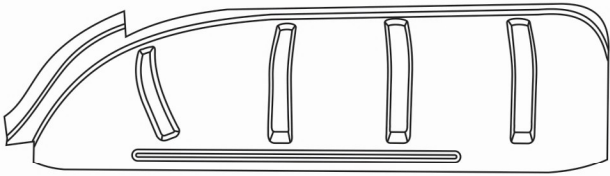


SAI 71 Ring Gola Big (R/H) T2

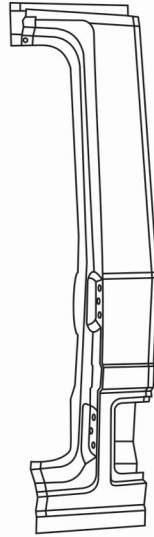


SAI 72 Dicky Gola Small (L/H)

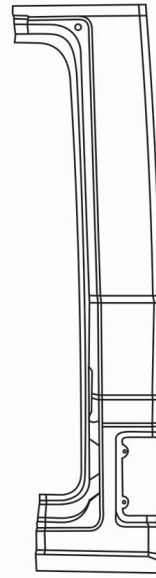
BOLERO



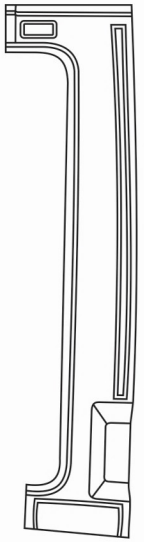
SAI 73 Dicky Gola Big (R/H)



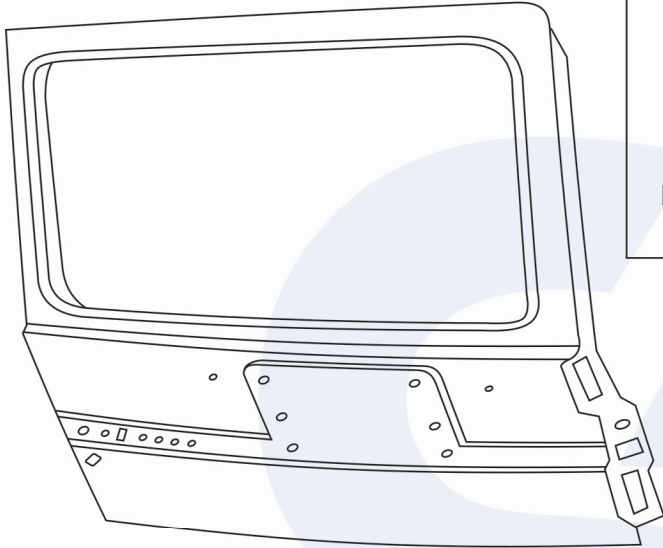
SAI 74
Real Tail Light
Pillar Assy.



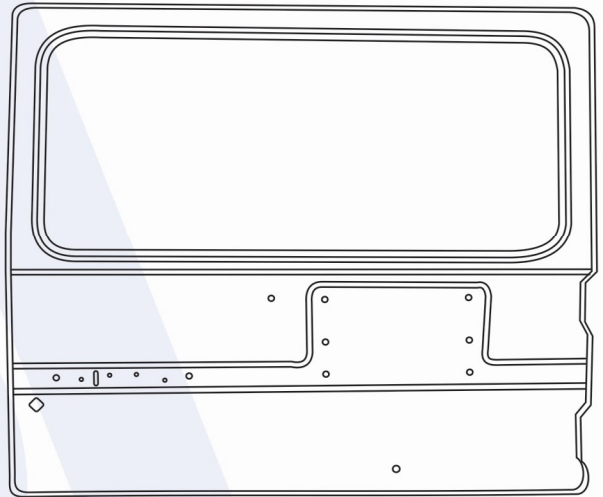
SAI 75 Real Tail Light
Pillar Outer



SAI 76 Real
Tail Light
Pillar Inner



SAI 77 Dicky Door Assy.



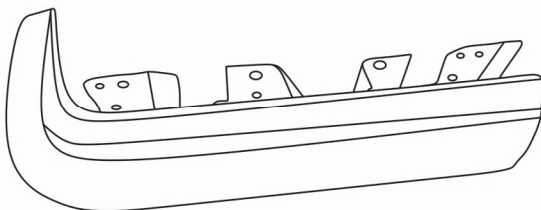
SAI 78 Dicky Door Cover



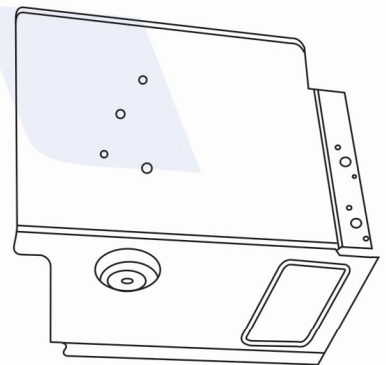
SAI 79 Dicky Panel



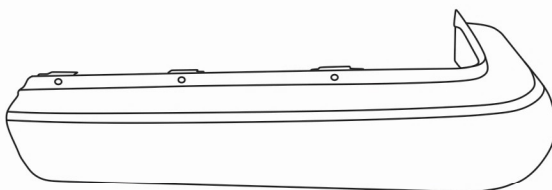
SAI 80 Dicky Panel Inner



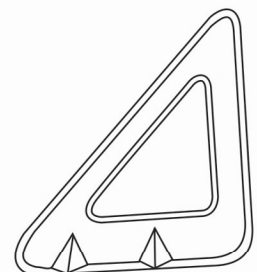
SAI 81 Rear Bumper T1



SAI 83 Engine Box Cover

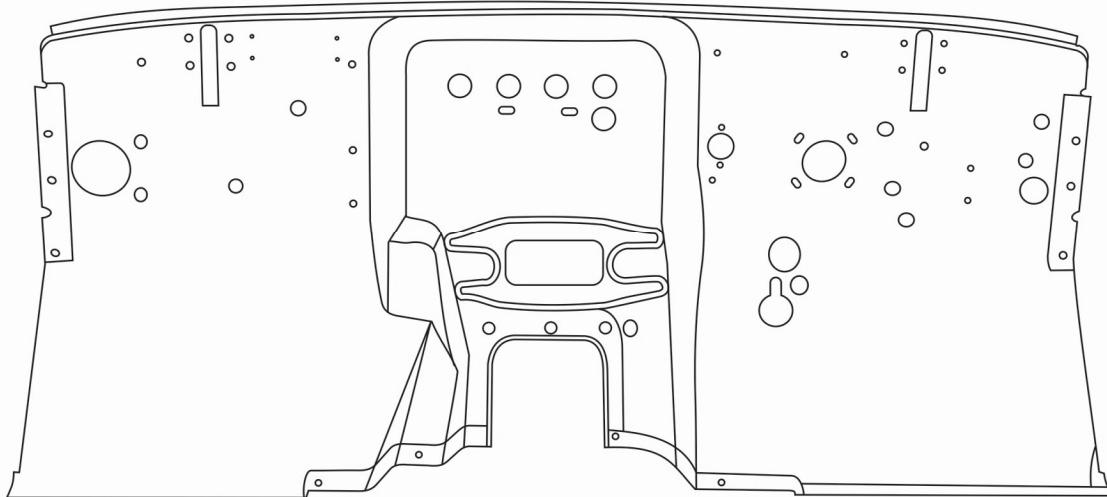


SAI 82 Rear Bumper T2

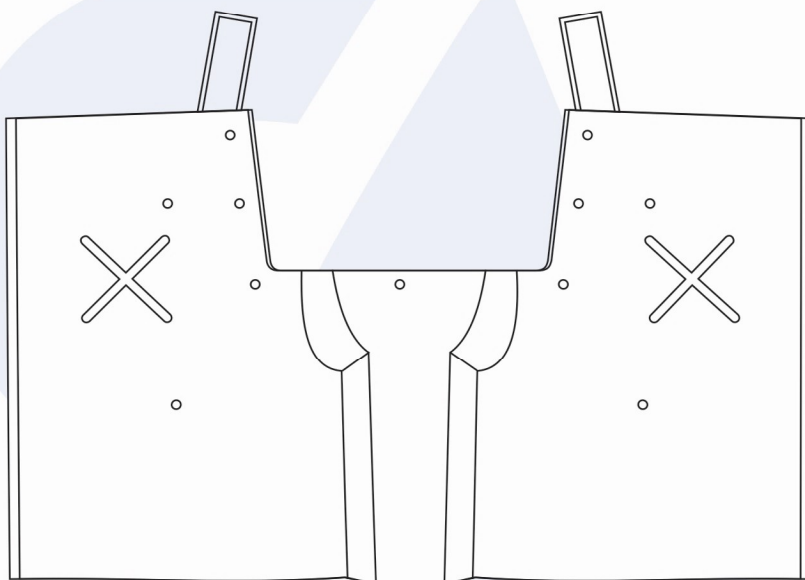


SAI 84 Engine Box Support (Ghoda)

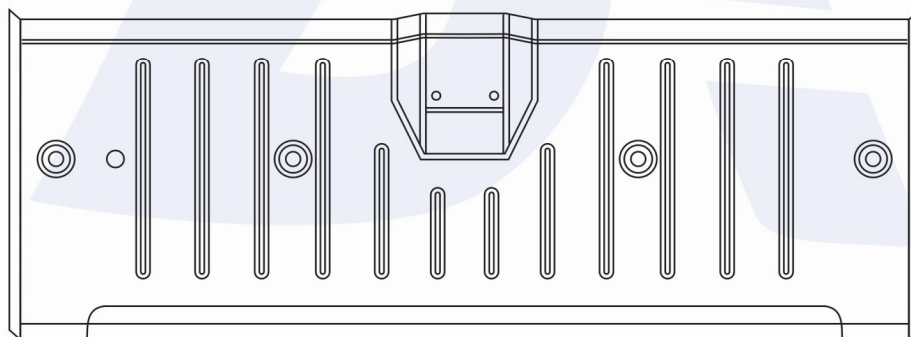
BOLERO



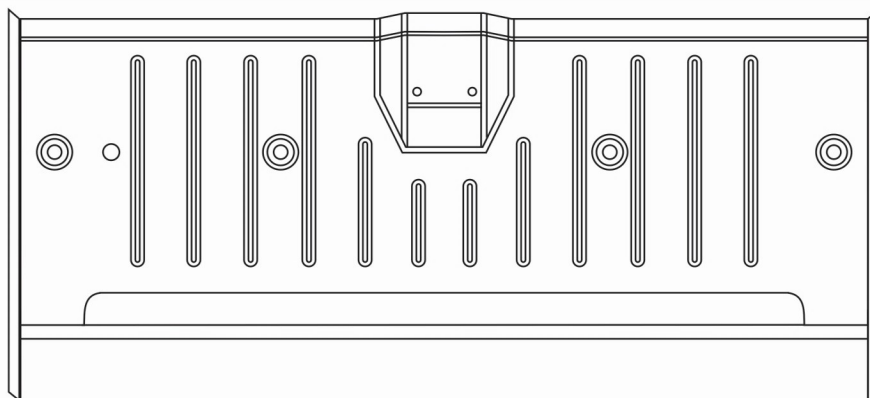
SAI 85 Front Engine Box Htg



SAI 86 Front Flooring Assy.

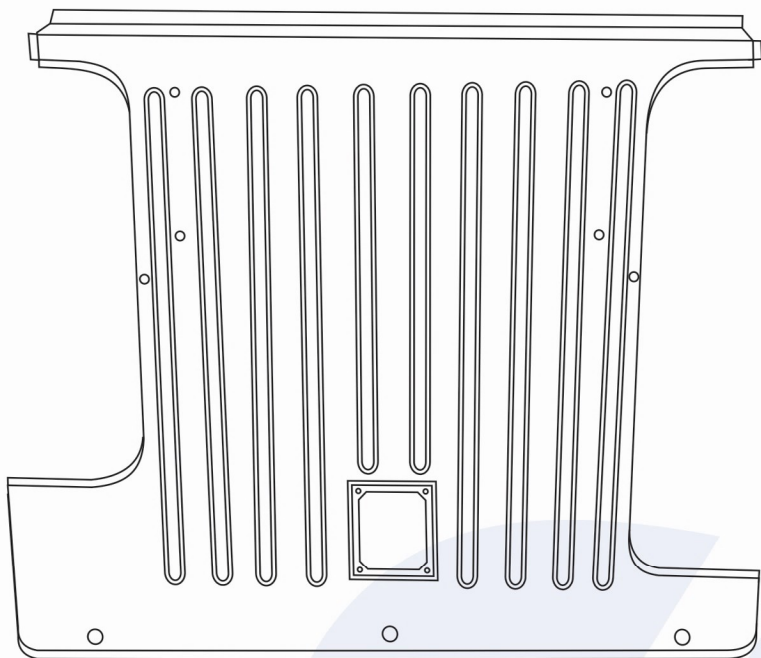


SAI 87 Center Flooring Assy.

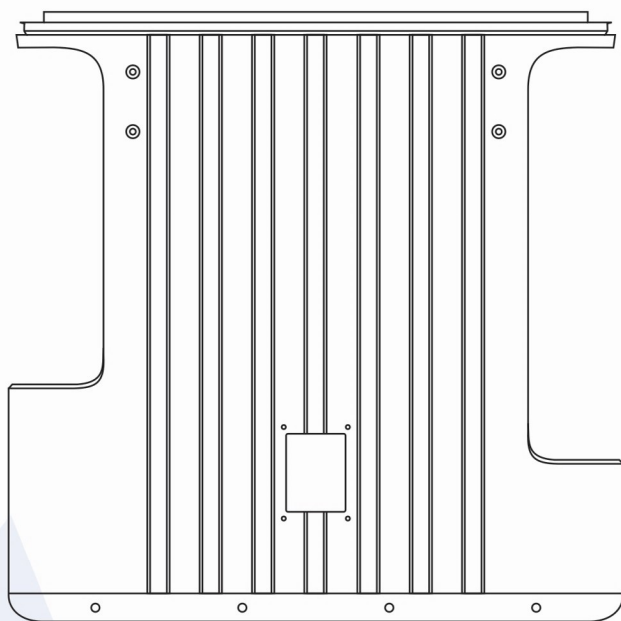


SAI 88 Center Flooring Assy. Bo-XI

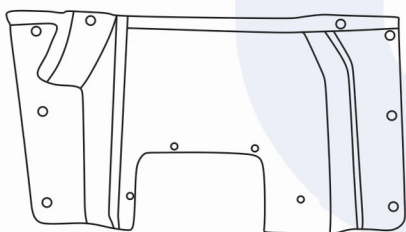
BOLERO



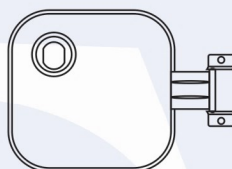
SAI 89 Rear Flooring Assy.



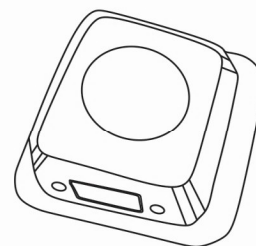
SAI 90 Rear Flooring Assy. Bo-XI



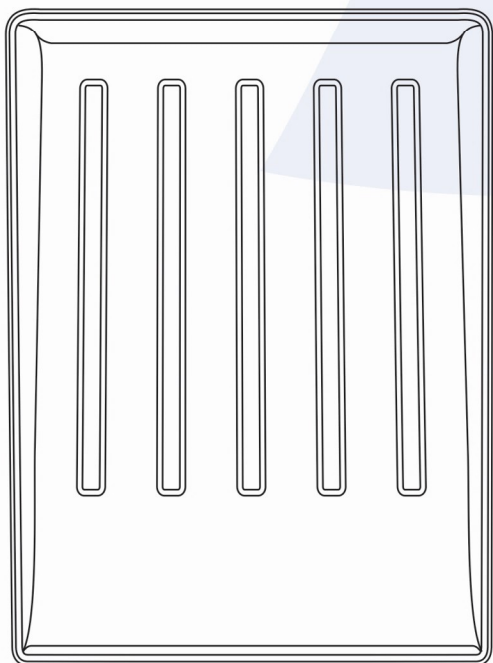
SAI 91 Gear Box Cover



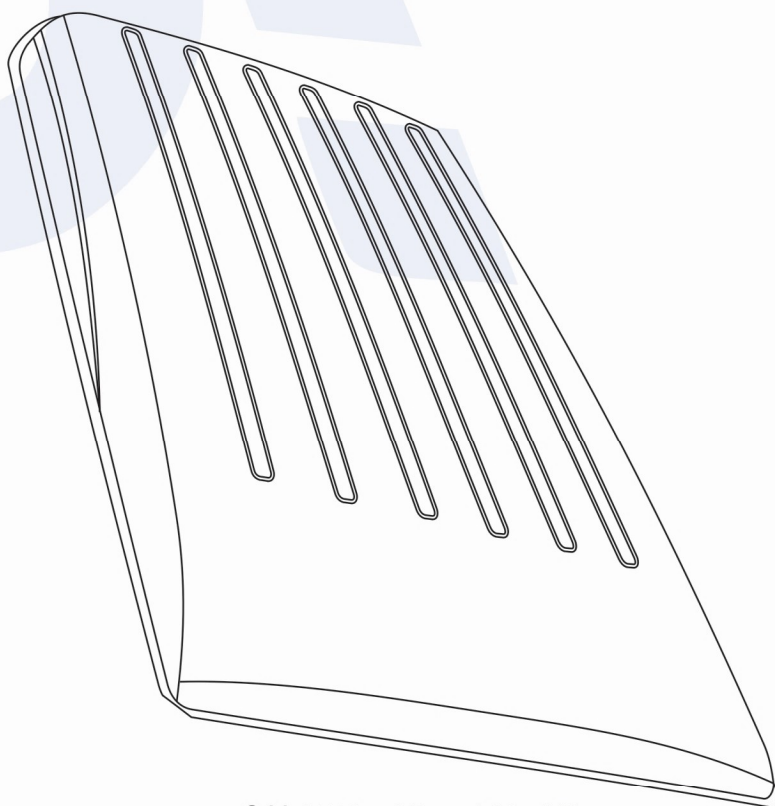
SAI 92 Diesel Tank Cover



SAI 93 Diesel Khobla

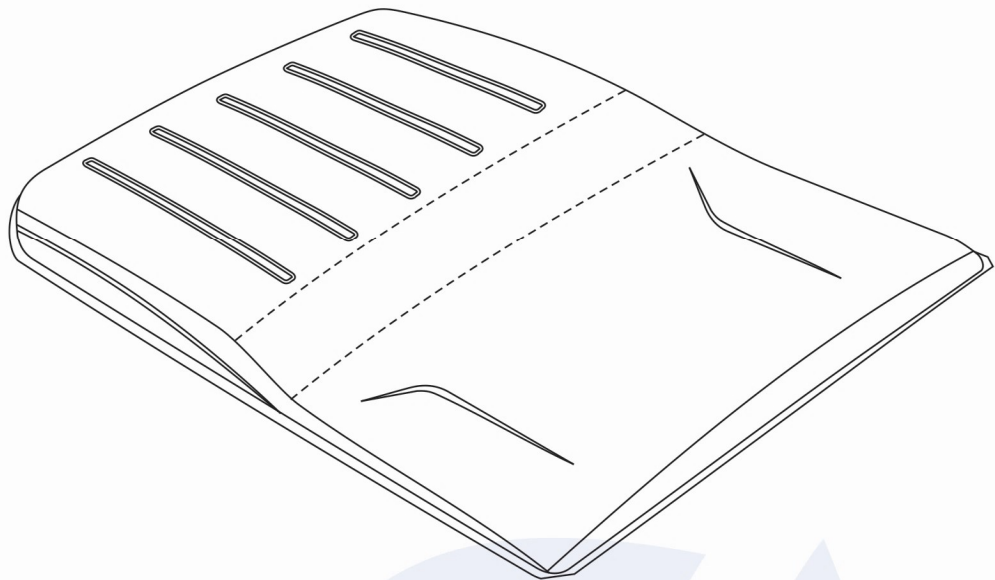


SAI 94 Roof Top SLX

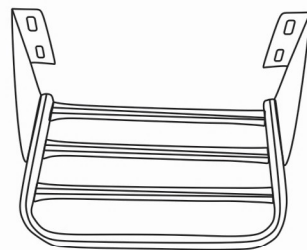


SAI 95 Roof Panel (Bo-XI)

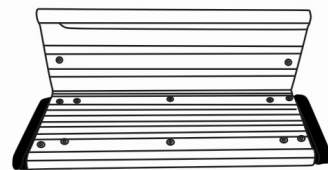
BOLERO



SAI 96 Roof Panel (Bo-Refresh)



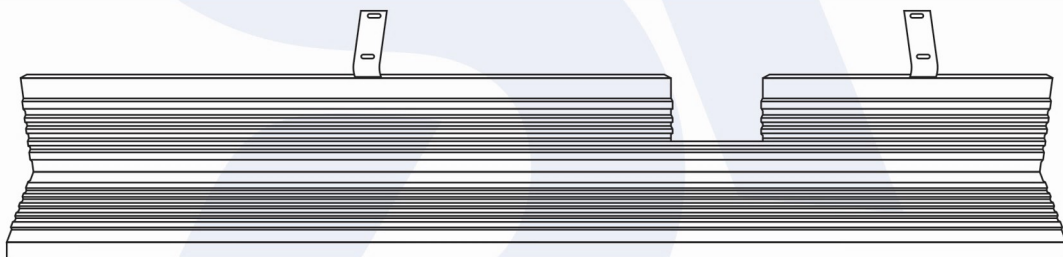
SAI 97 Rear Foot Step (Power Plus)



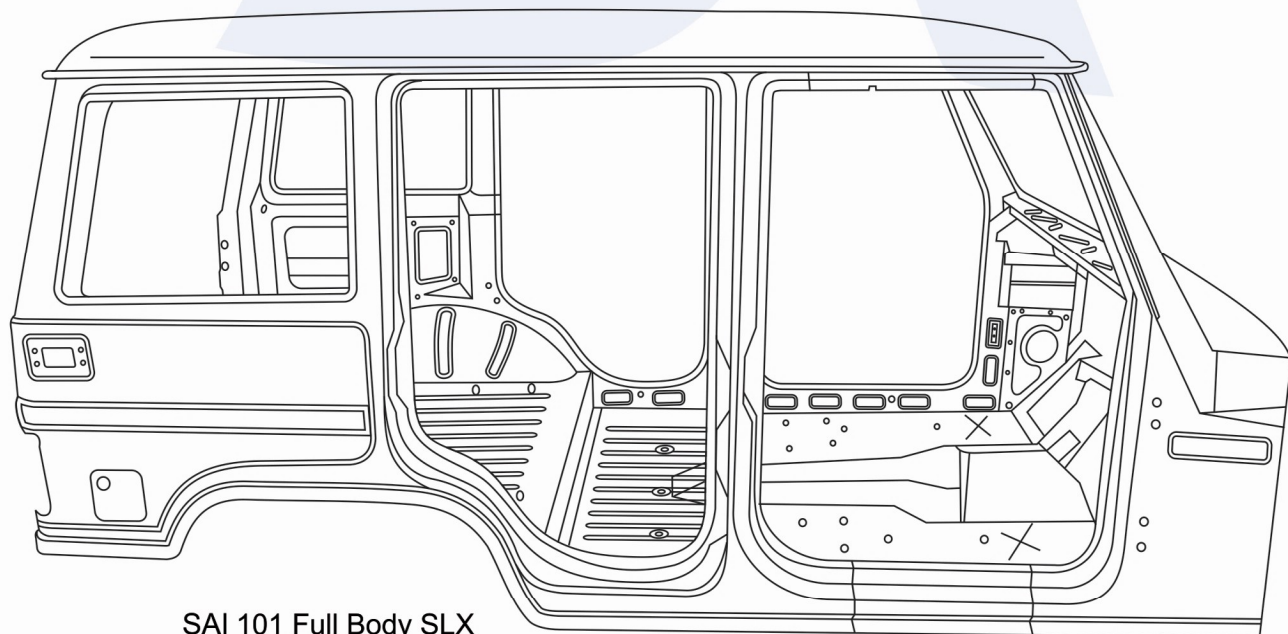
SAI 98 Rear Foot Step



SAI 99 Side Foot Step (Bo-XI)

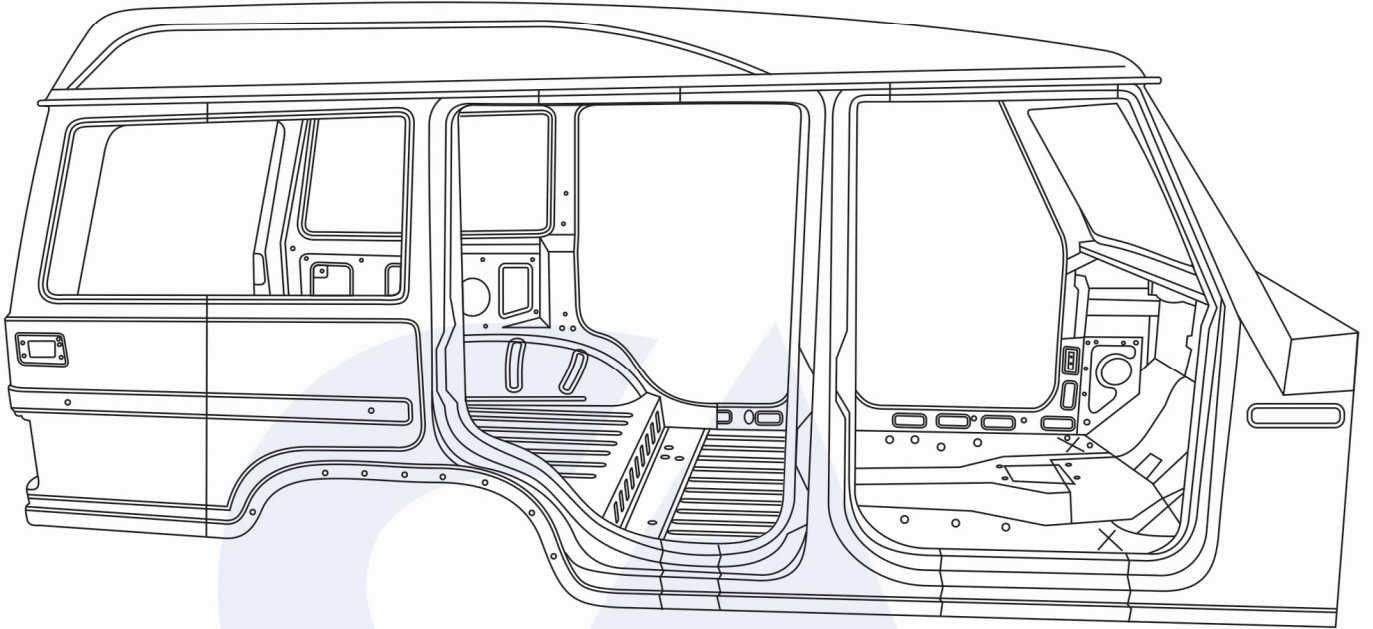


SAI 100 Side Foot Step

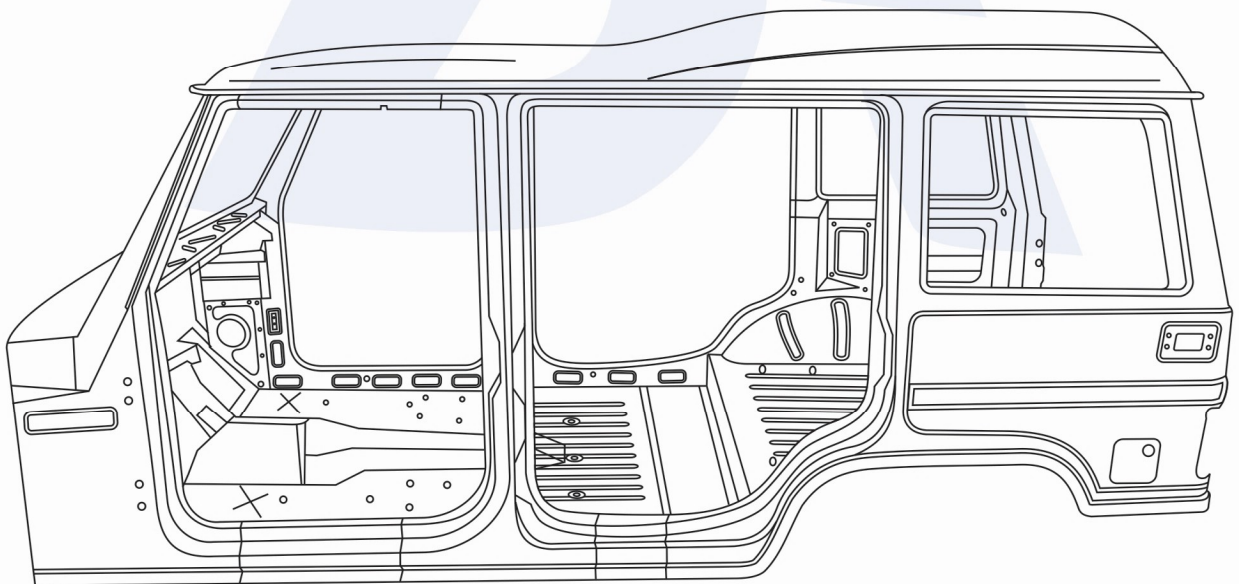


SAI 101 Full Body SLX

BOLERO



SAI 102 Full Body (Bo-XI)



SAI 103 Full Body (Bo-Refresh)

S.A. International



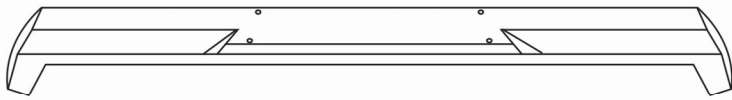
**TOWARDS
MANUFACTURING
EXCELLENCE**

MARSHAL & ARMADA

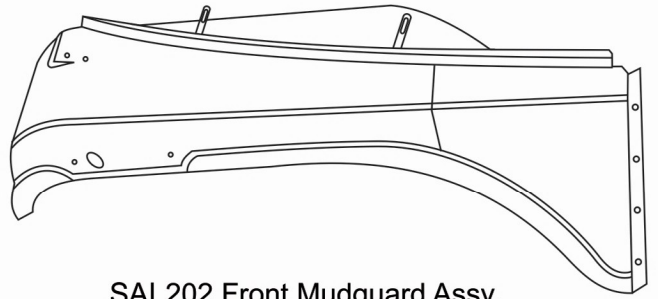


www.sainternationalpro.com

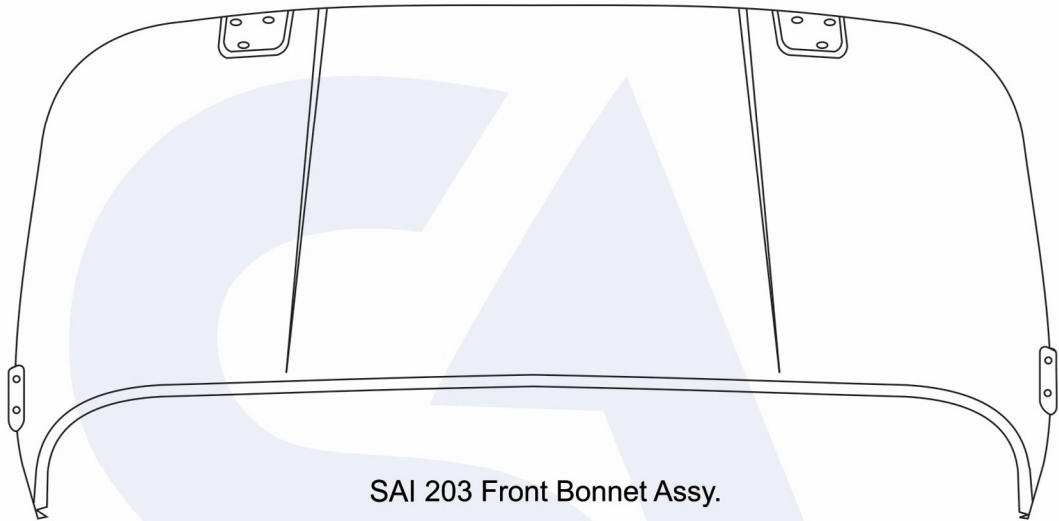
MARSHAL & ARMADA



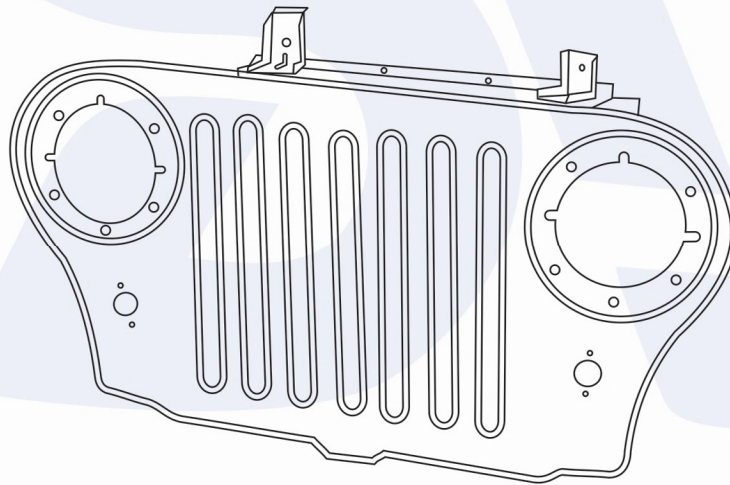
SAI 201 Front Bumper



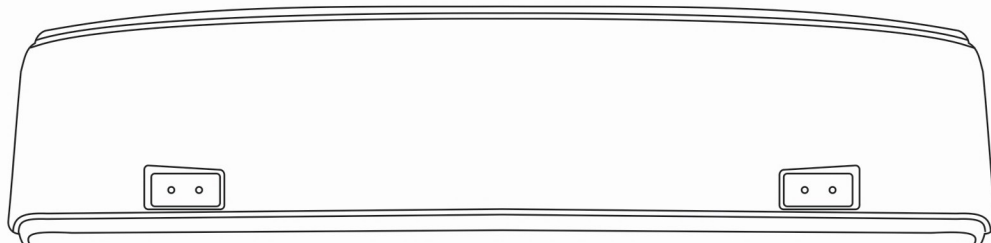
SAI 202 Front Mudguard Assy.



SAI 203 Front Bonnet Assy.

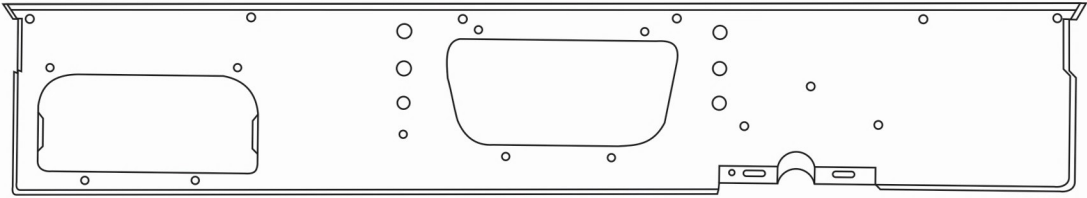


SAI 204 Front Grill Assy.

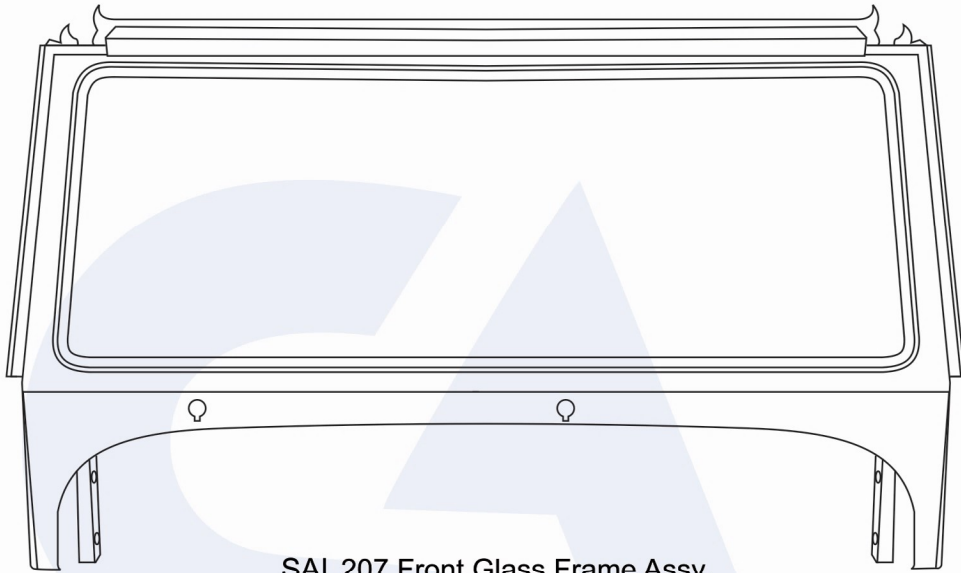


SAI 205 Front Desk Board

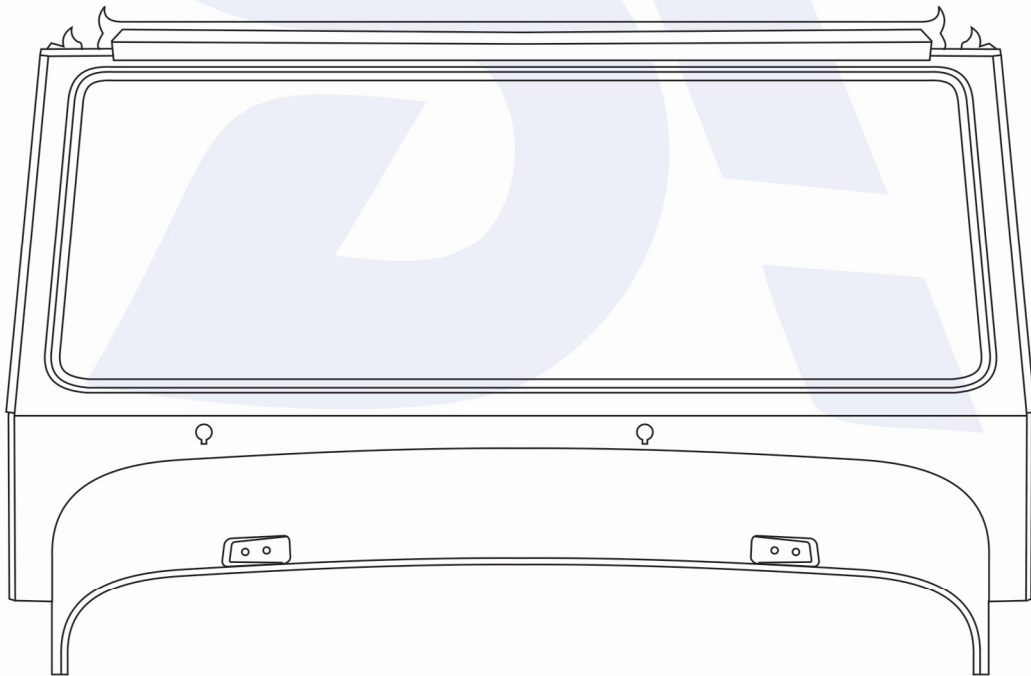
MARSHAL & ARMADA



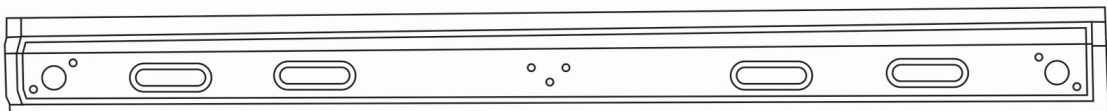
SAI 206 Meter Patra



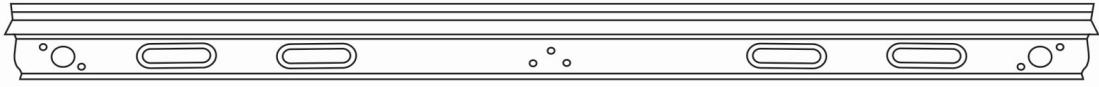
SAI 207 Front Glass Frame Assy.



SAI 208 Front Glass Frame With Cowl Assy.



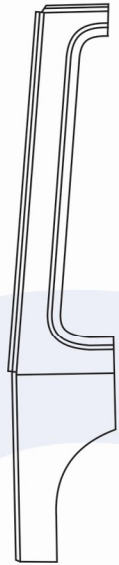
SAI 209 Front Mirror Patti



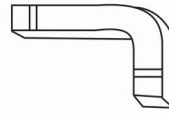
SAI 210 Front Top Box Assy.



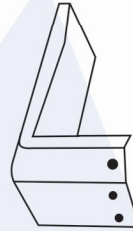
SAI 211 Glass Pillar Assy.



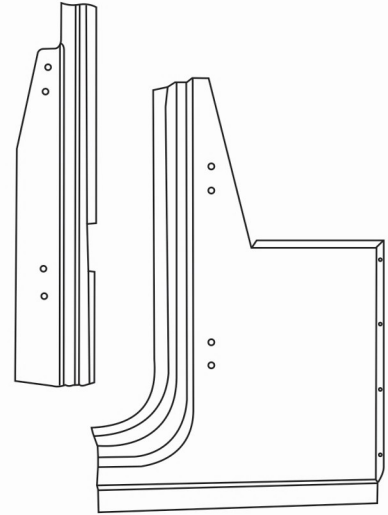
SAI 212 Glass Pillar Cover



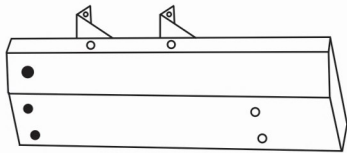
SAI 213 Front Top Gutter Cona



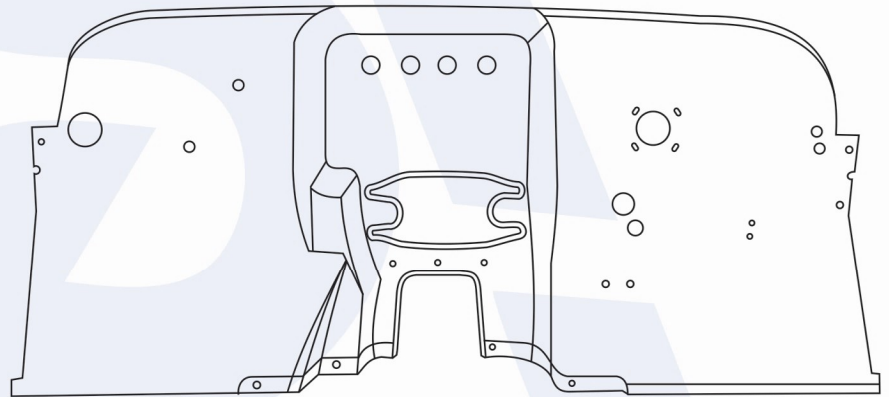
SAI 214 Rear Bumper Cona (Set-2)



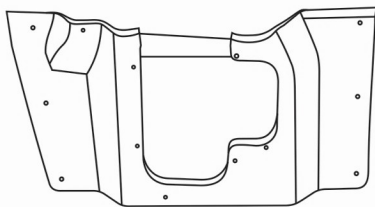
SAI 215 Hawabari Assy.



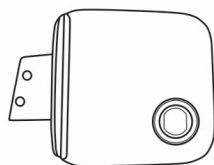
SAI 216 Rear Bumper (Set-2)



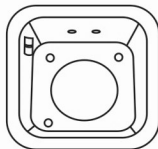
SAI 217 Front Engine Box (Hig)



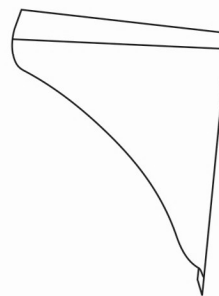
SAI 218 Gear Box Cover



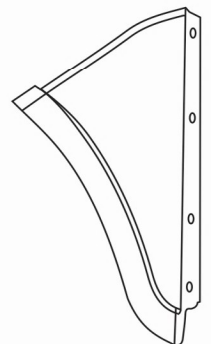
SAI 219 Diesel Dhankan (Armada)



SAI 220 Diesel Khobla



SAI 221 Mudguard Corner Outer

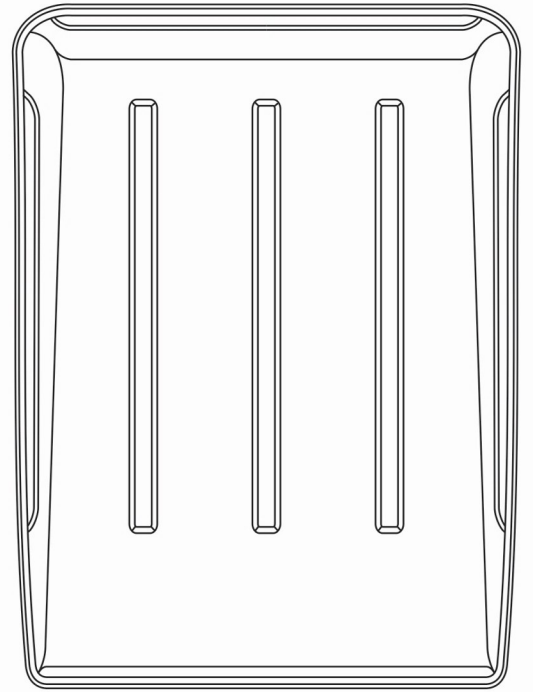


SAI 222 Mudguard Corner Inner

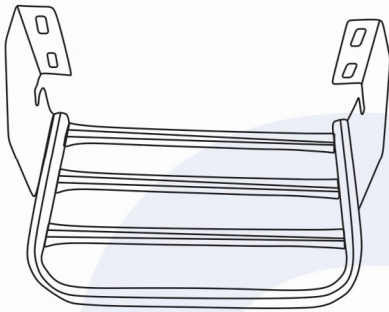
MARSHAL & ARMADA



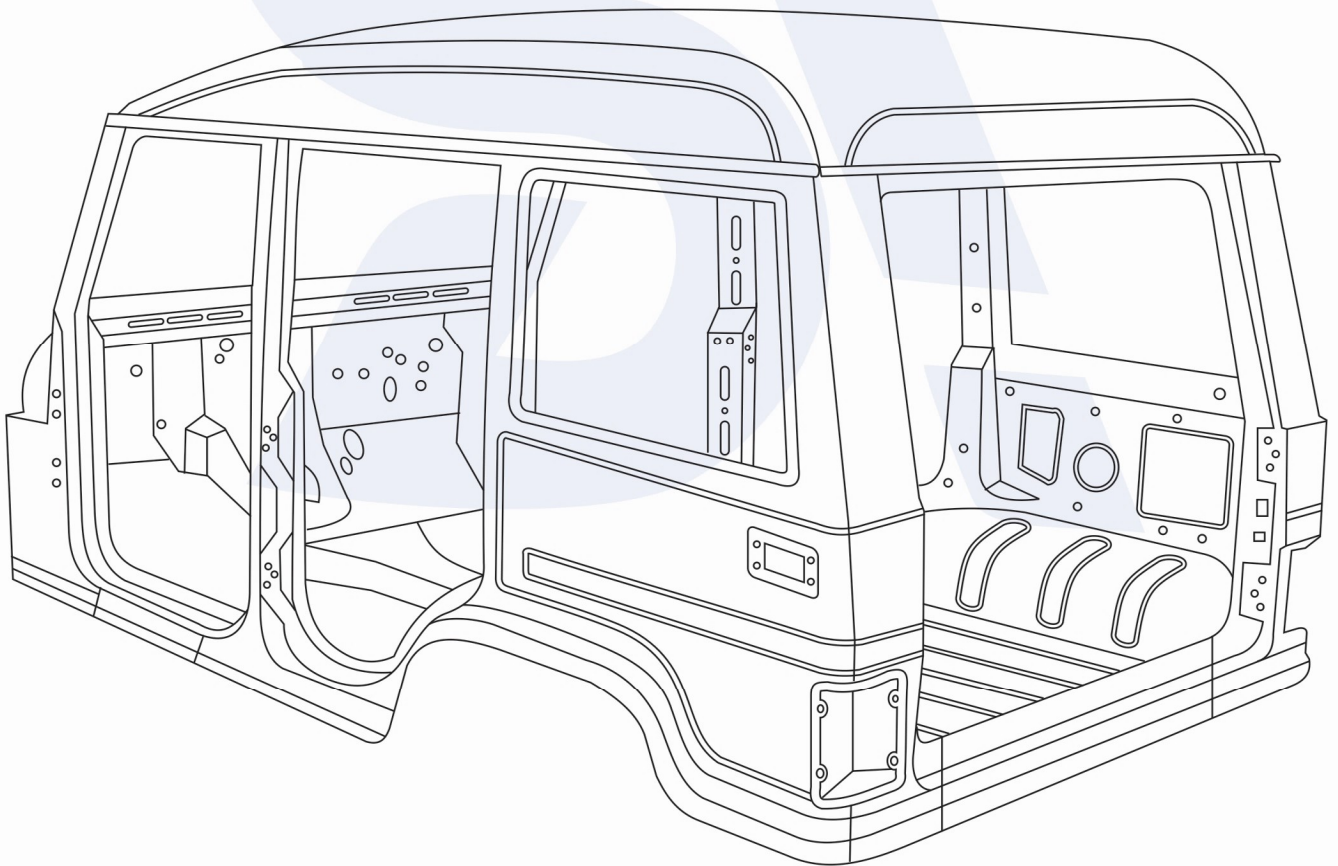
SAI 223 Side Foot Step



SAI 225 Roof Top



SAI 224 Rear Foot Step



SAI 226 Full Body Assy.

S.A. International

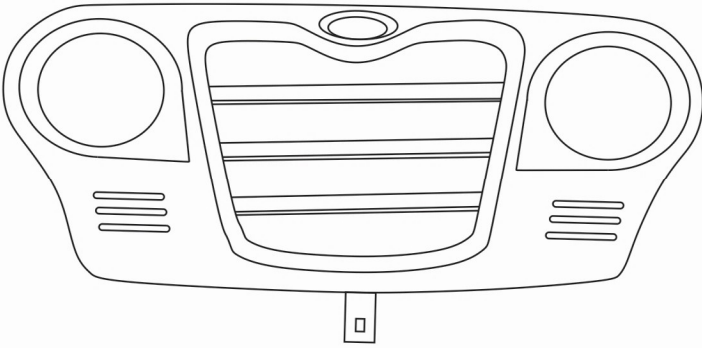


TOWARDS
MANUFACTURING
EXCELLENCE

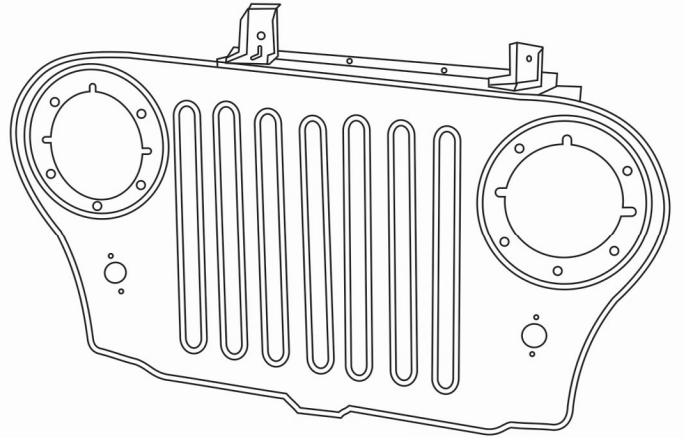
MAXX & MAHA MAXX



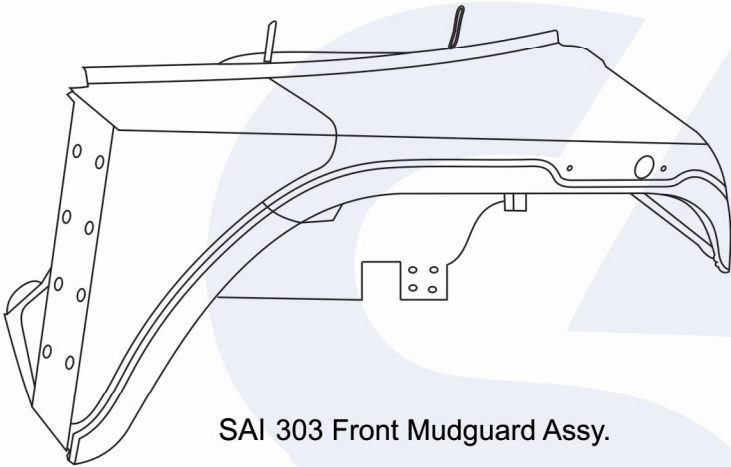
www.sainternationalpro.com



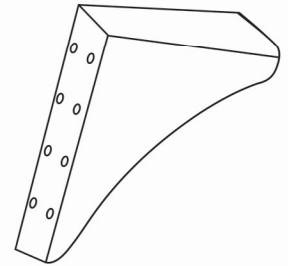
SAI 301 Front Grill Assy.



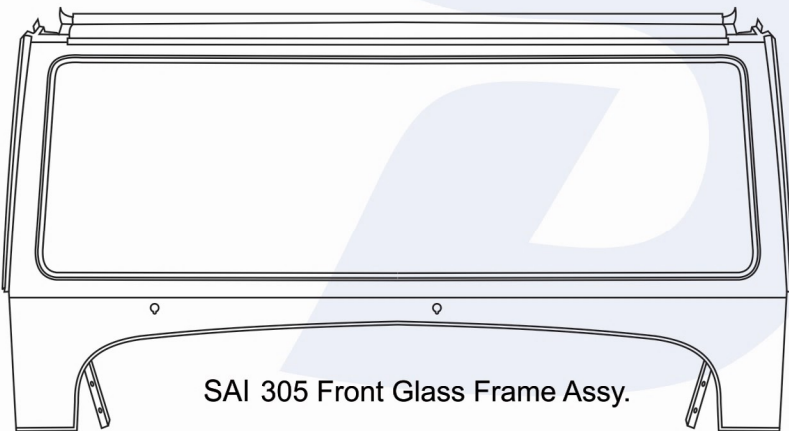
SAI 302 Front Grill Assy. Turbo



SAI 303 Front Mudguard Assy.



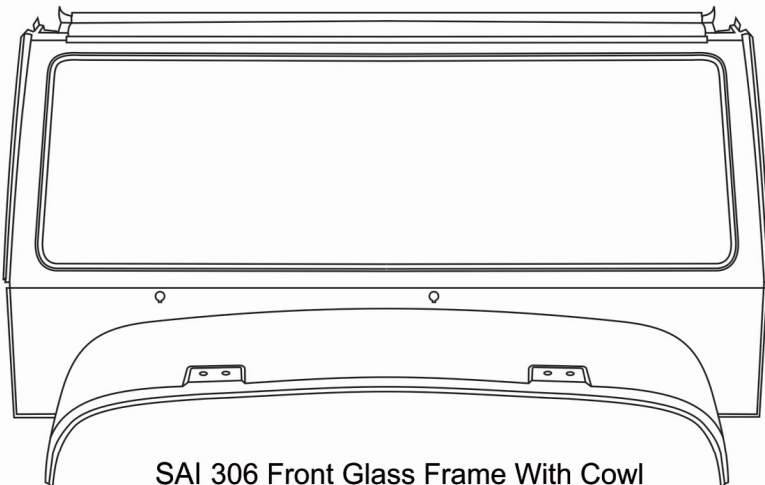
SAI 304 Mudguard Cona Outer



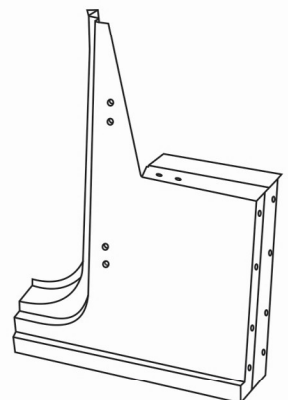
SAI 305 Front Glass Frame Assy.



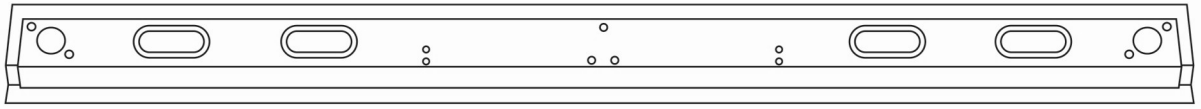
SAI 307 Glass Pillar Assy.



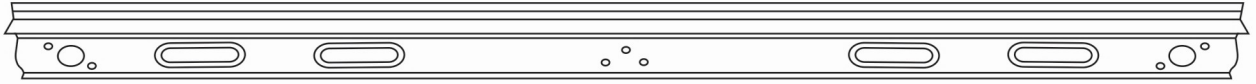
SAI 306 Front Glass Frame With Cowl



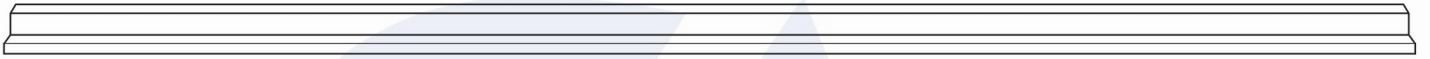
SAI 308 Hawabari Assy.



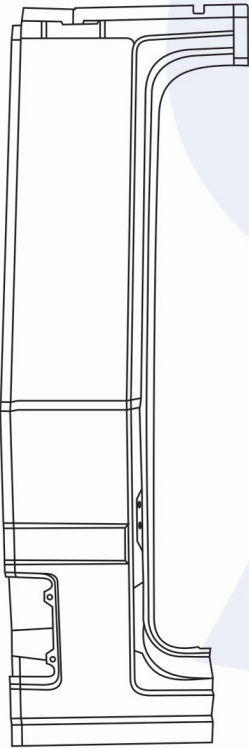
SAI 309 Glass Frame Mirror Patti



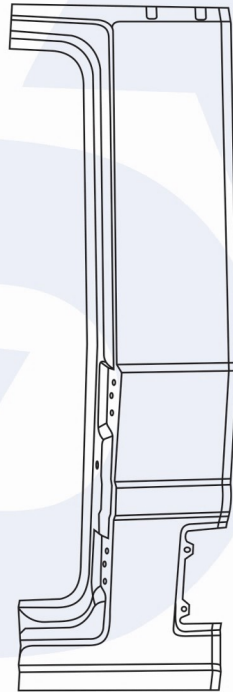
SAI 310 Front Top Box Assy.



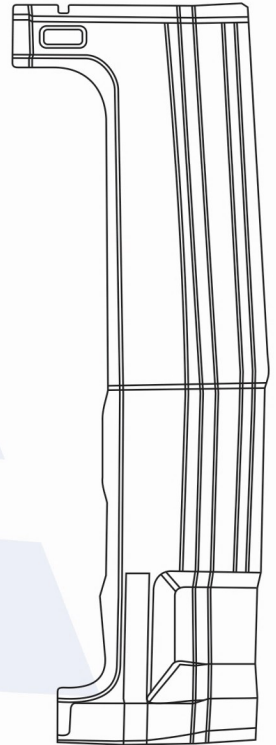
SAI 311 Side Water Channel (Bo/XI /Maha Max)



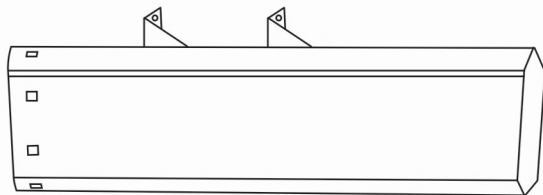
SAI 312 Rear Tail Light Pcs. Assy.



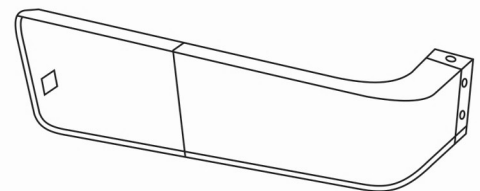
SAI 313 Rear Tail Light Pcs Cover



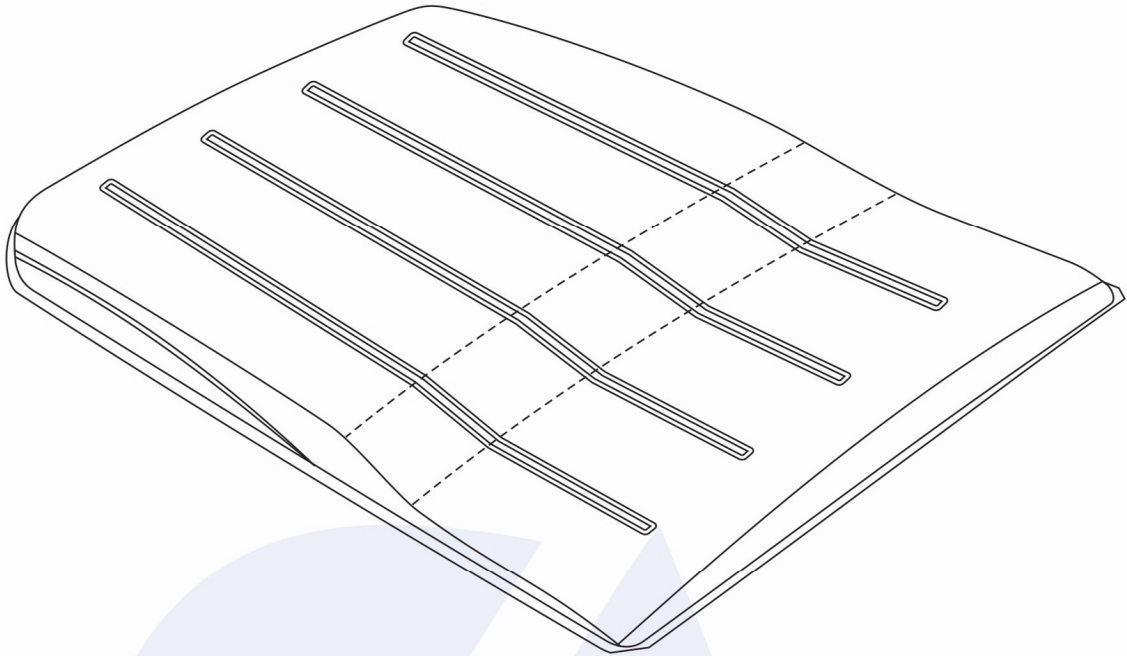
SAI 314 Rear Tail Light Pcs Inner



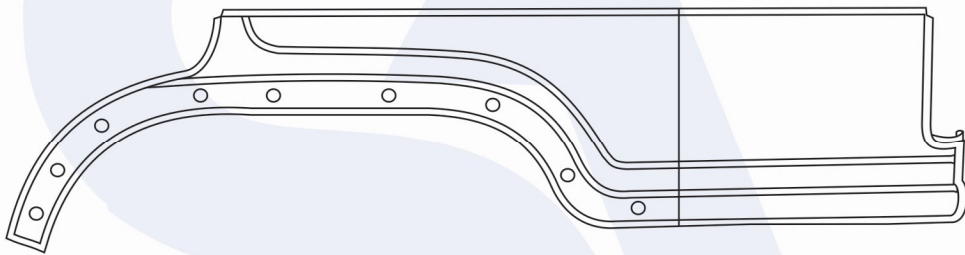
SAI 315 Rear Bumper Tukda (Set-2)



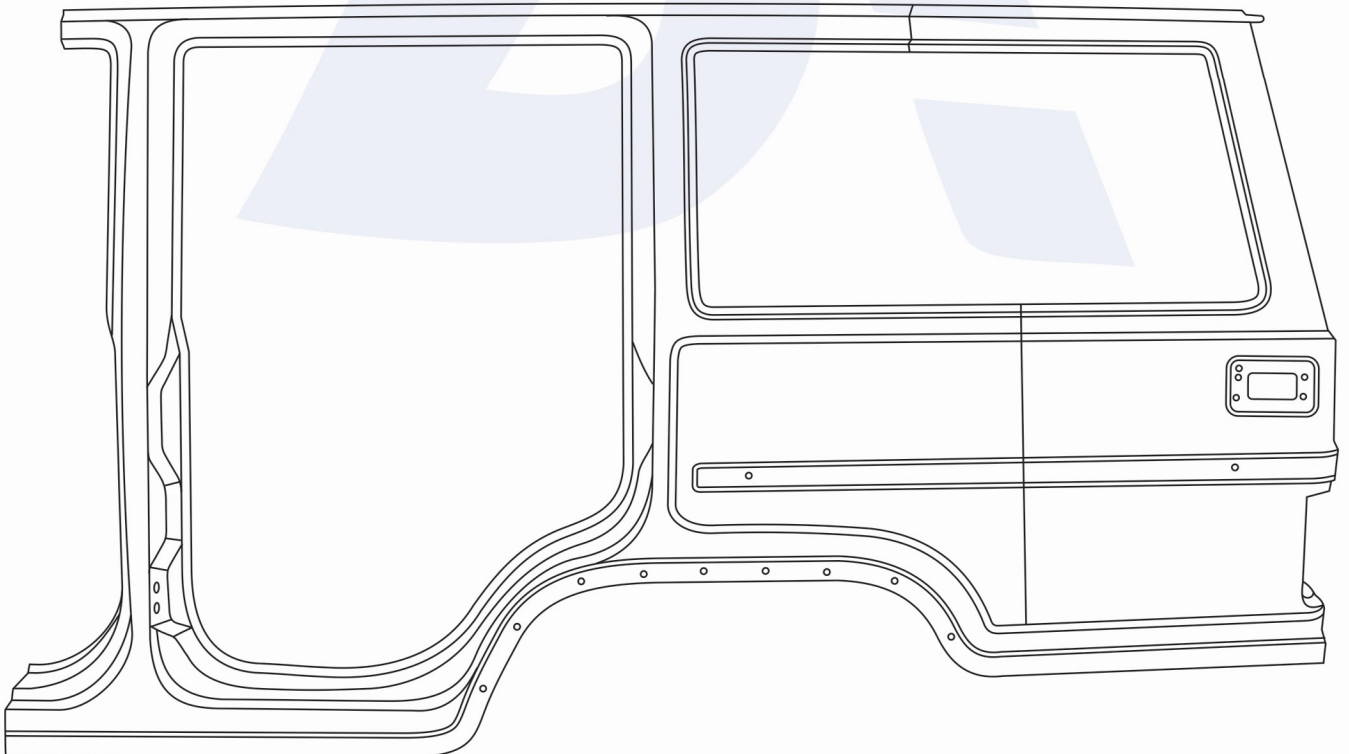
SAI 316 Rear Bumper Corner (Set-2)



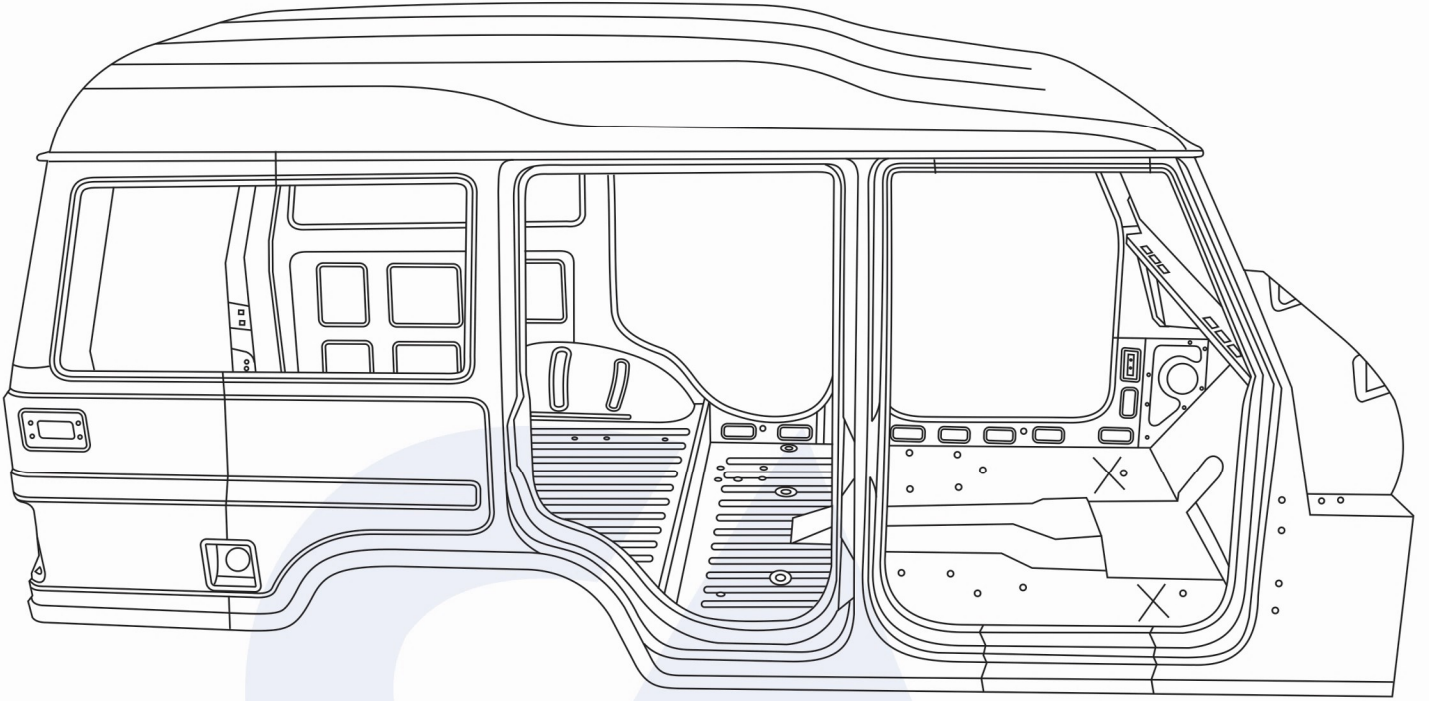
SAI 317 Roof Panel (Max & Maha Max)



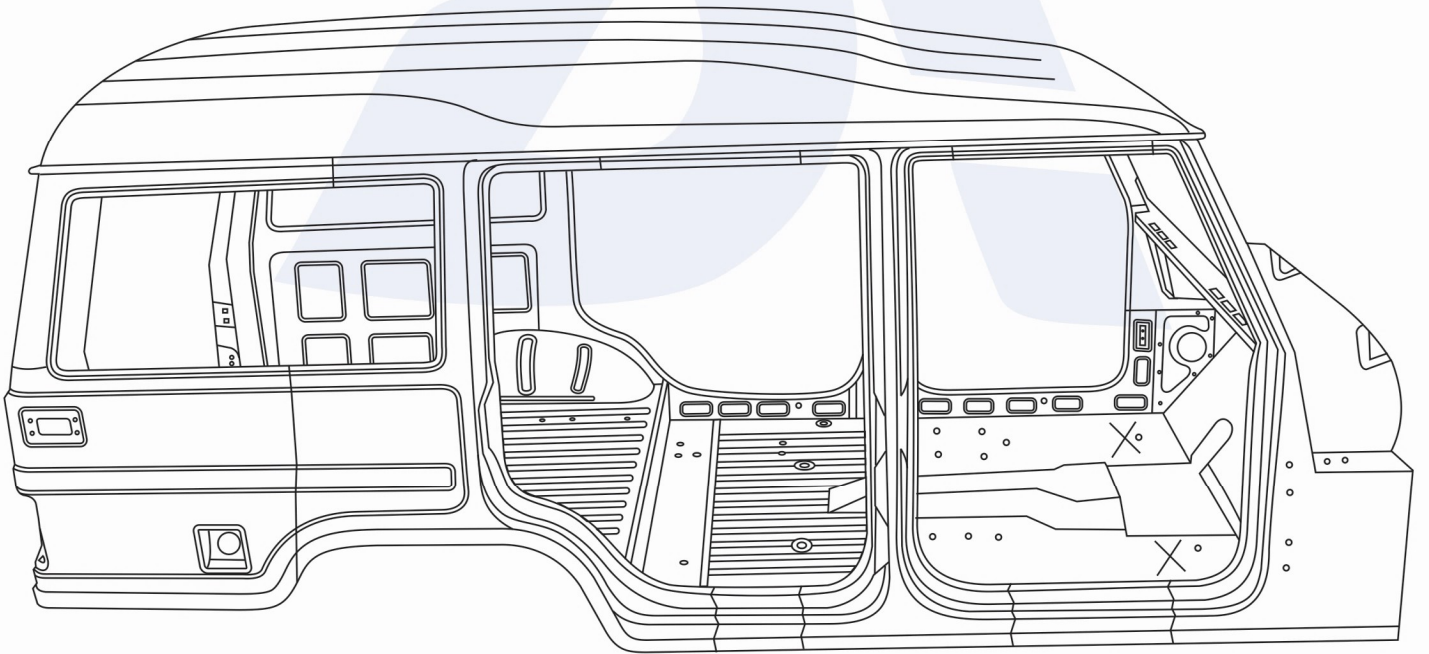
SAI 318 Rear Mudguard Full Border (Bo-XI/ Maha Max)



SAI 319 Full Side Outer (Max)



SAI 320 Full Body



SAI 321 Full Body (Maha Max)

S.A. International



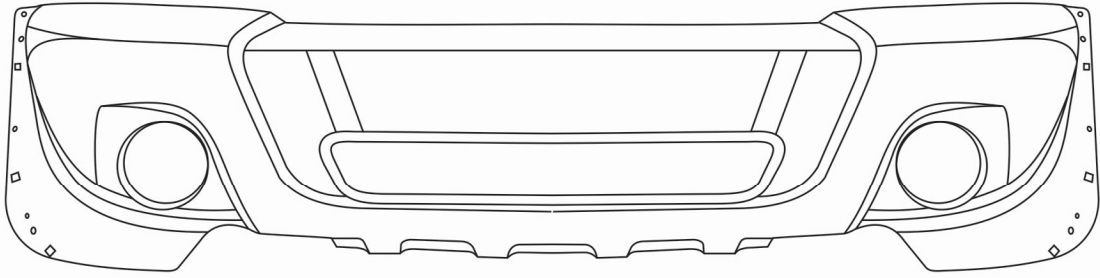
TOWARDS
MANUFACTURING
EXCELLENCE

**BOLERO MAXI
TRUCK PLUS**

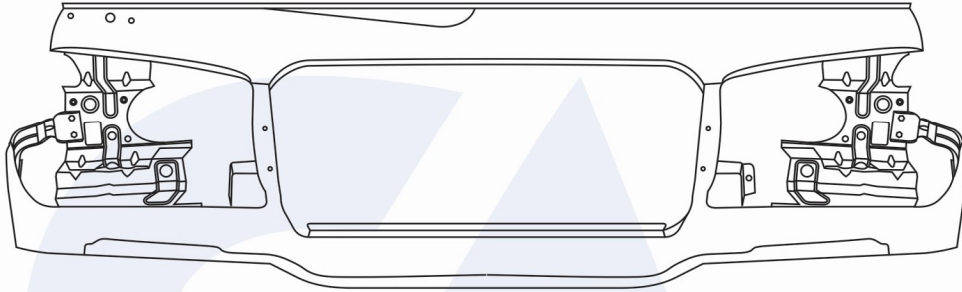


www.sainternationalpro.com

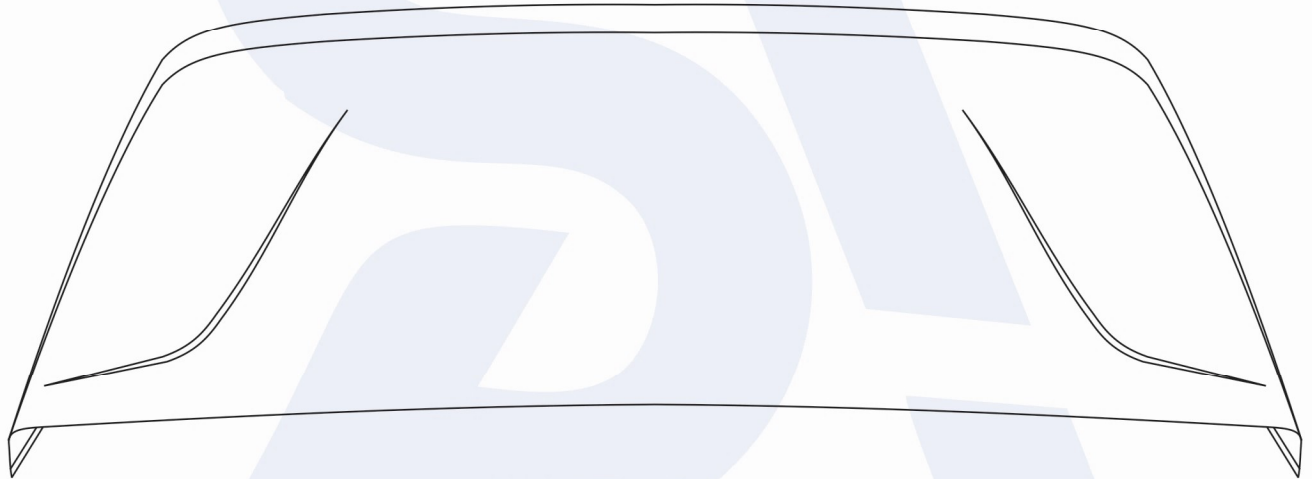
BOLERO MAXI TRUCK PLUS



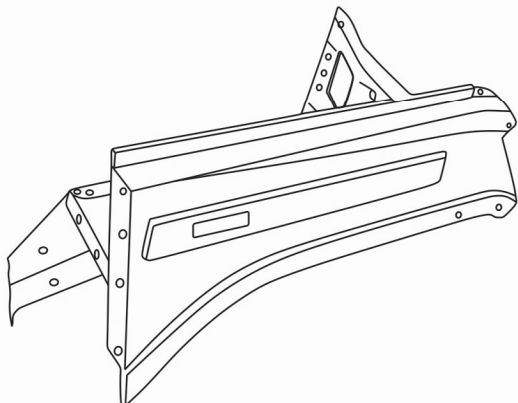
SAI 401 Front Bumper



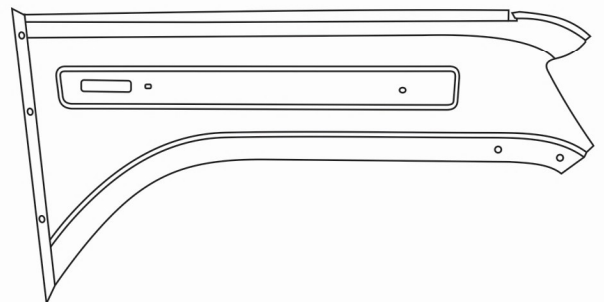
SAI 402 BMT Front Grill Assy.(Faciya)



SAI 403 Front Bumper Assy.

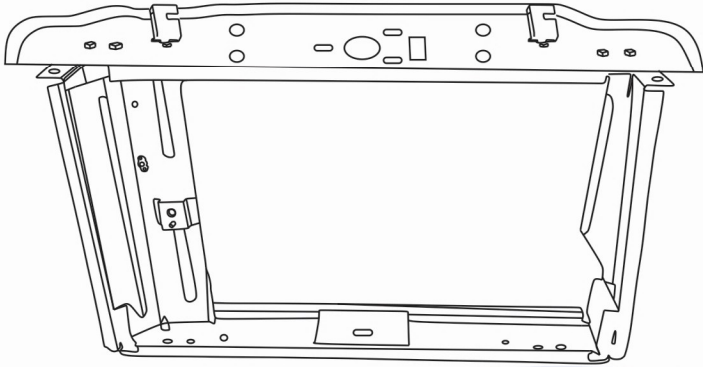


SAI 404 Front Mudguard Assy.

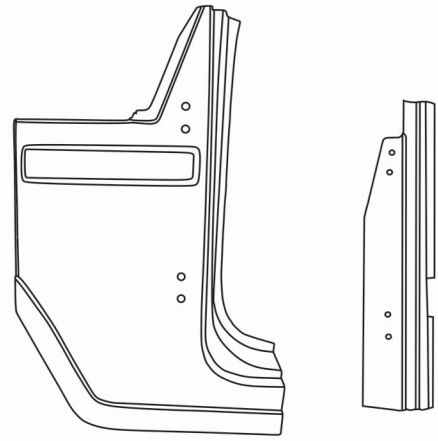


SAI 405 Front Mudguard Cover

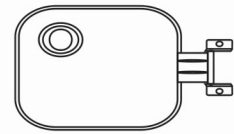
BOLERO MAXI TRUCK PLUS



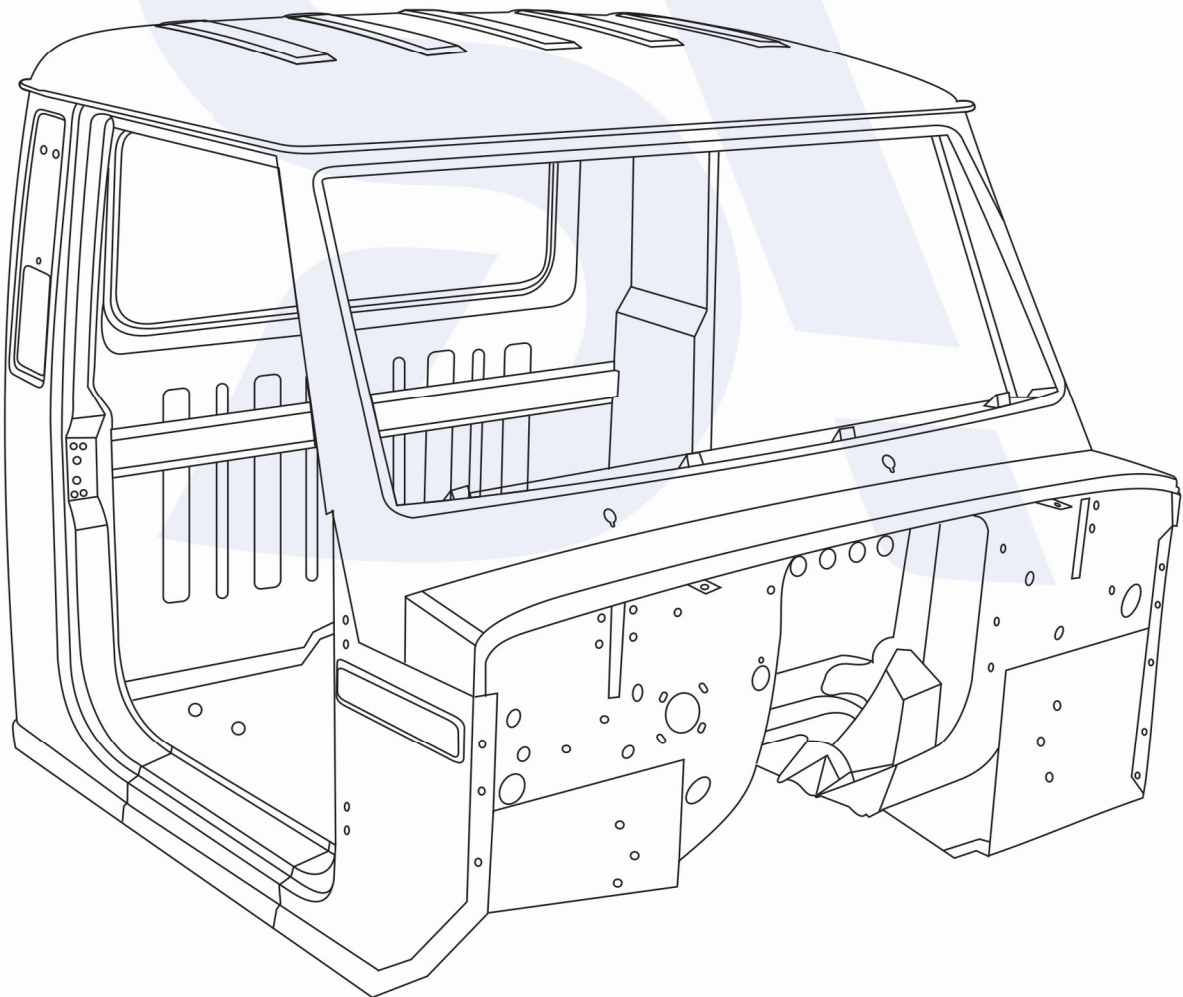
SAI 406 Diston Pic



SAI 407 Hawabari Assy.



SAI 408 Diesel Tank Cover



SAI 409 Maxi Truck Plus Body Assy. (Bo/Pickup)

S.A. International



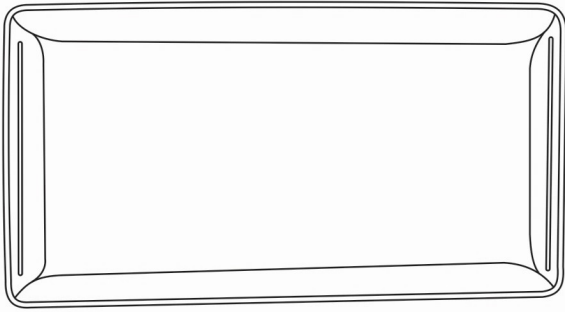
**TOWARDS
MANUFACTURING
EXCELLENCE**

**MARSHAL PICKUP,
MAXX PICKUP
BOLERO PICKUP.**

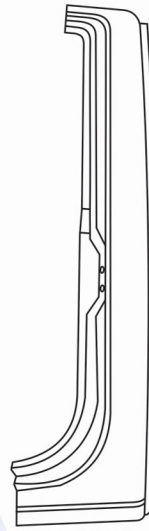


www.sainternationalpro.com

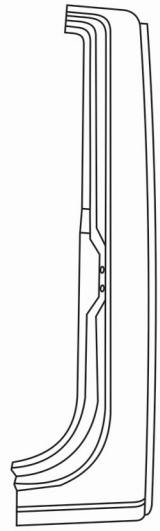
MARSHAL PICKUP, MAXX PICKUP, BOLERO PICKUP



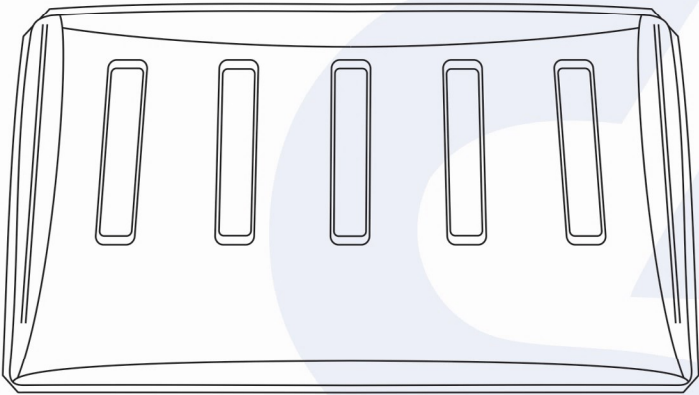
SAI 501 Marshal,Maxx Pickup Roof Panel



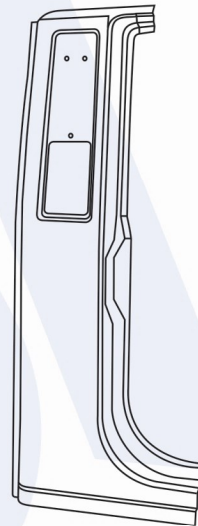
SAI 503 Marshal,Maxx Pickup Door Pillar Assy.



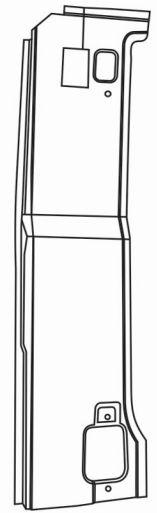
SAI 504 Marshal,Maxx Pickup Door Pillar Cover



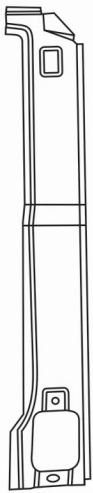
SAI 502 Bolero Pickup Roof Panel



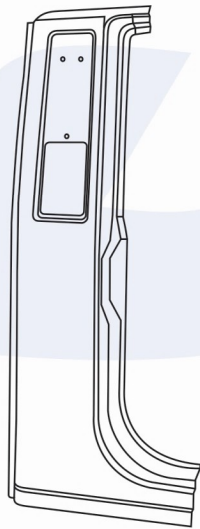
SAI 507 Bolero Pickup Door Pillar Cover



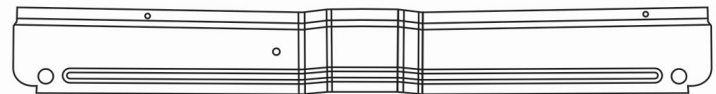
SAI 508 Bolero Pickup Door Pillar Inner



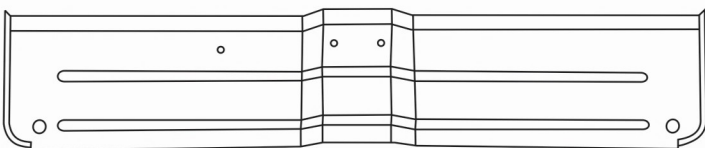
SAI 505 Marshal,Maxx Pickup Door Pillar Inner



SAI 506 Bolero Pickup Door Pillar Assy.



SAI 509 Marshal,Maxx Pickup Center Flooring Assy.

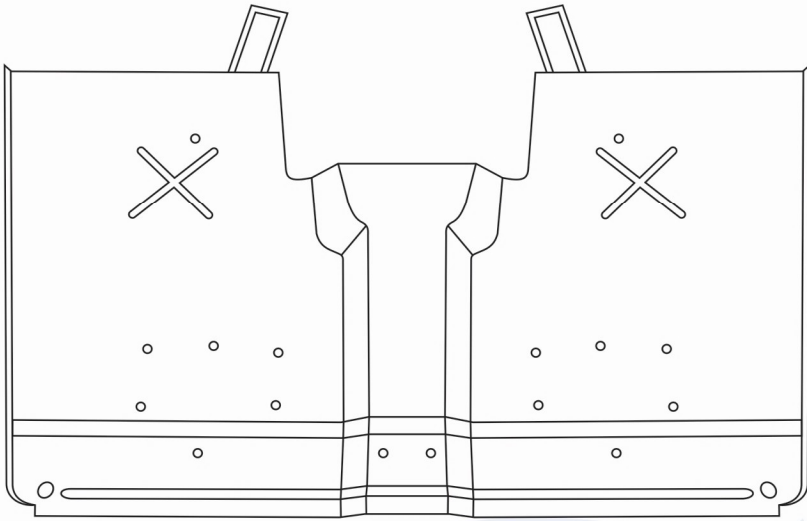


SAI 510 Bolero Pickup Center Flooring Assy.

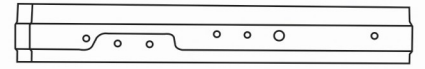


SAI 511 Running Board Inner Support

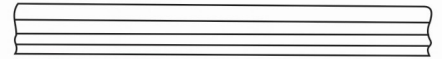
MARSHAL PICKUP, MAXX PICKUP, BOLERO PICKUP



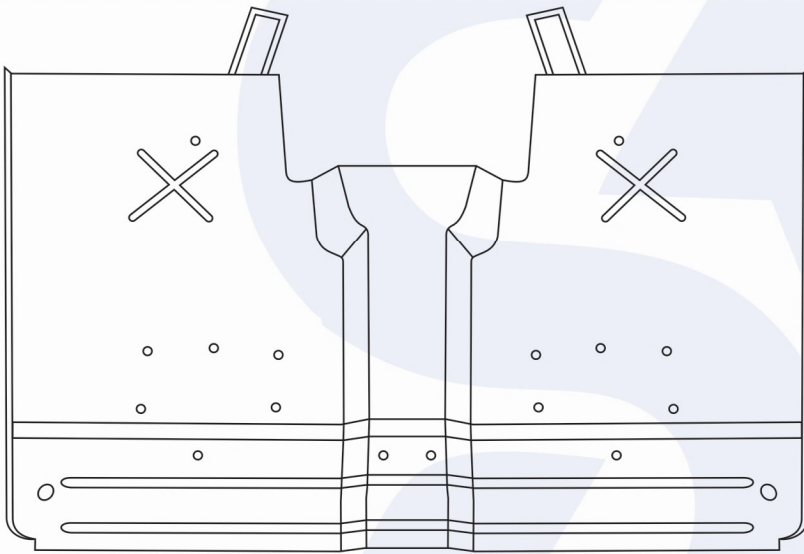
**SAI 512 Marshal,Maxx Pickup Front Flooring
With Center Flooring Assy.**



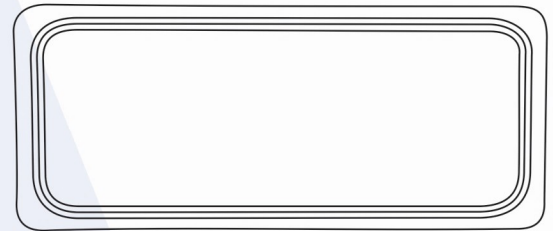
SAI 514 Handel Patti Inner



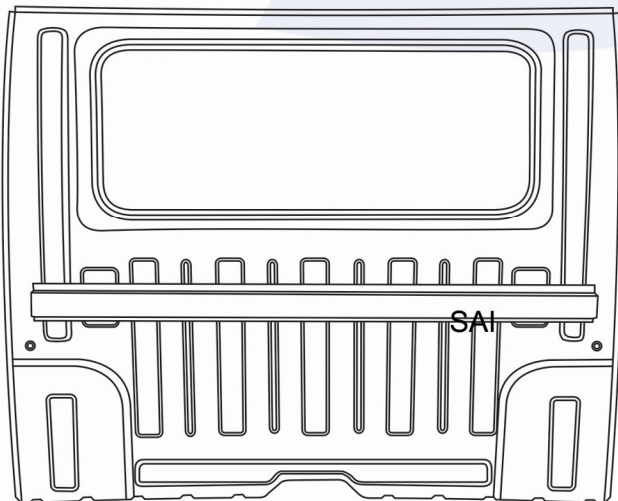
SAI 515 Side Water Channel



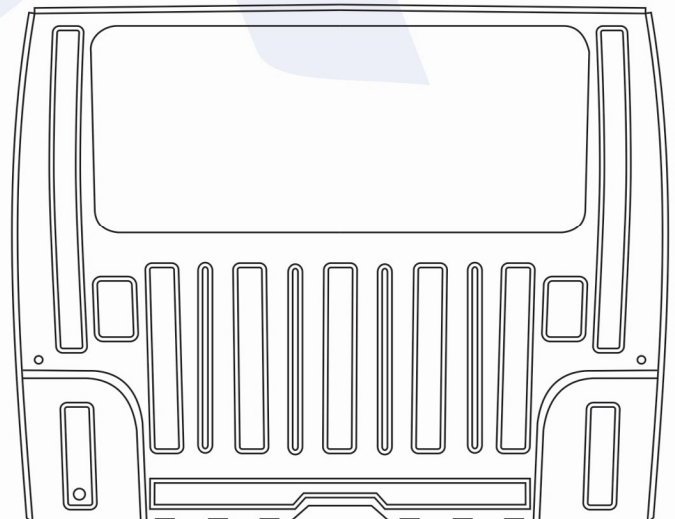
**SAI 513 Bolero Pickup Front Flooring With
Center Flooring Assy.**



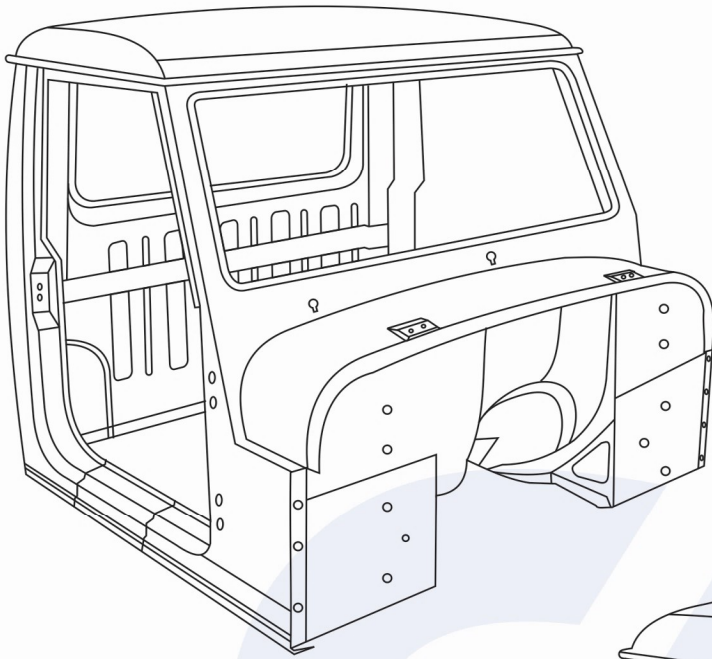
SAI 516 Rear Window Ring



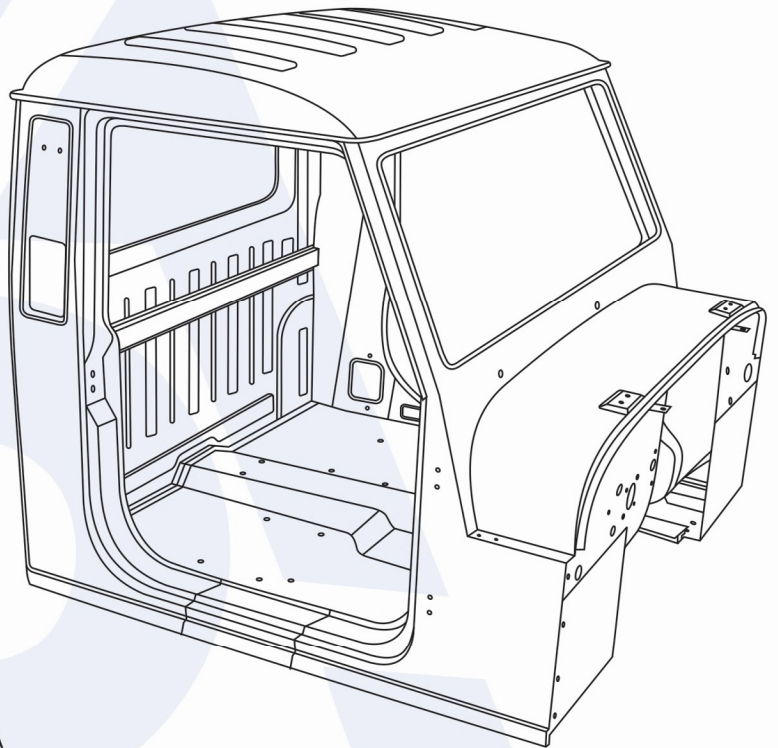
SAI 517 Rear Window Back Assy.



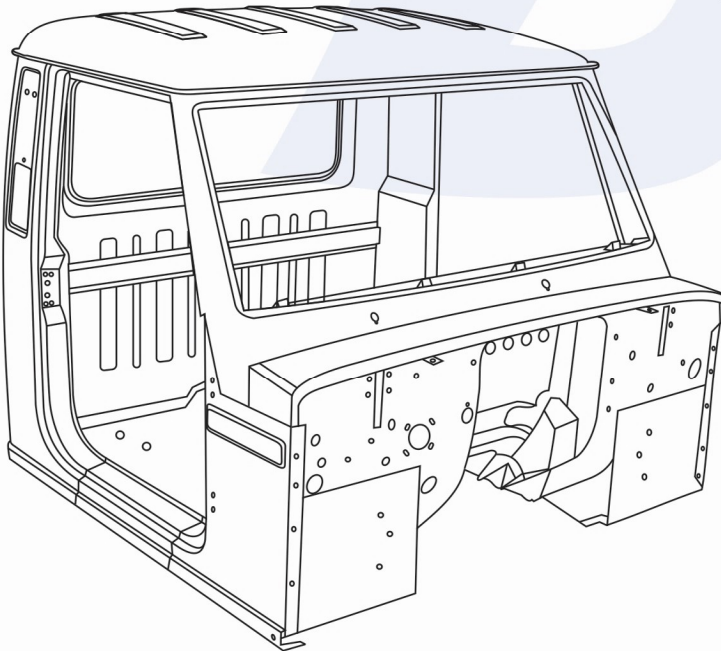
SAI 518 Rear Window Back



SAI 519 Body Assy. (Pick Up)



SAI 520 Body Assy. (Maxx Pickup)



SAI 521 Body Assy. (Bo-Pickup)

S.A. International



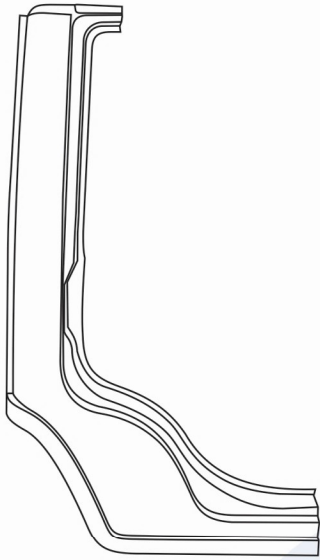
TOWARDS
MANUFACTURING
EXCELLENCE

**BOLERO CAMPER
N/M O/M & UTILITY**

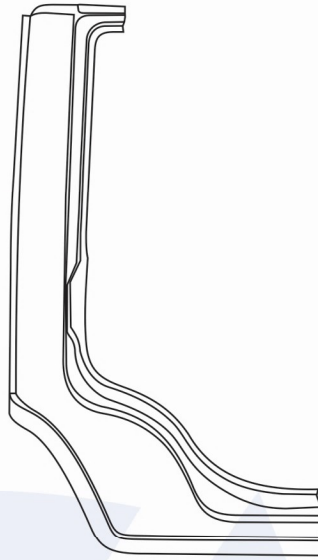


www.sainternationalpro.com

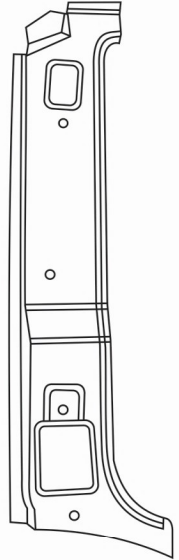
BOLERO CAMPER N/M O/M & UTILITY



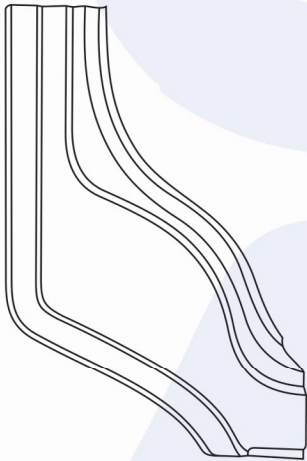
SAI 601 Rear Door Pillar Assy.



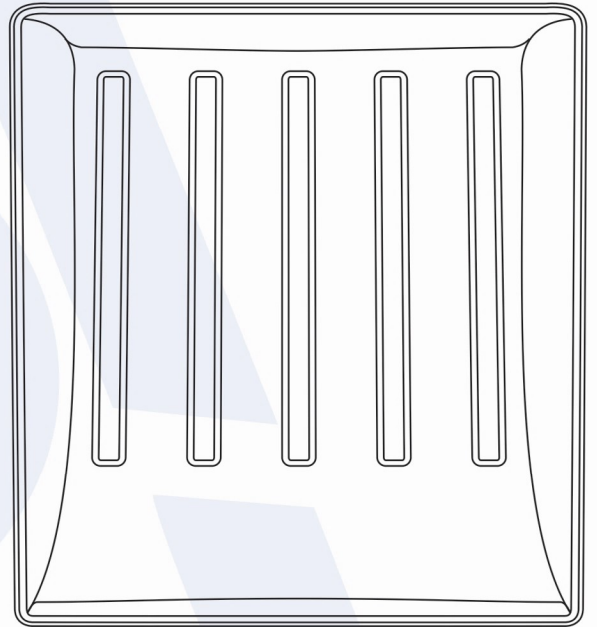
SAI 602 Rear Door Pillar Outer



SAI 603 Rear Door Pillar Inner



SAI 604 Rear Door Pillar Patch

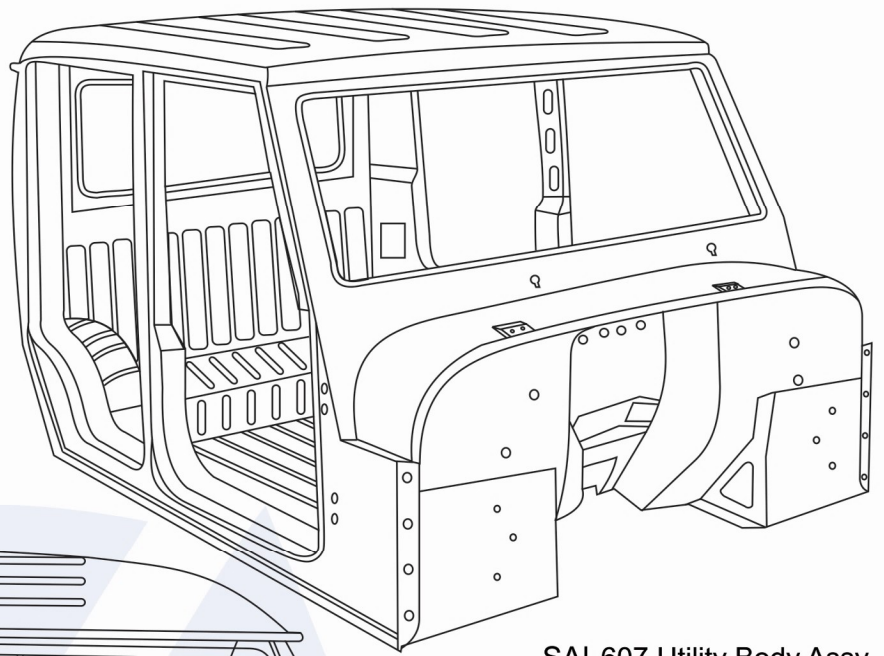


SAI 605 Roof Panel (O/M & N/M)

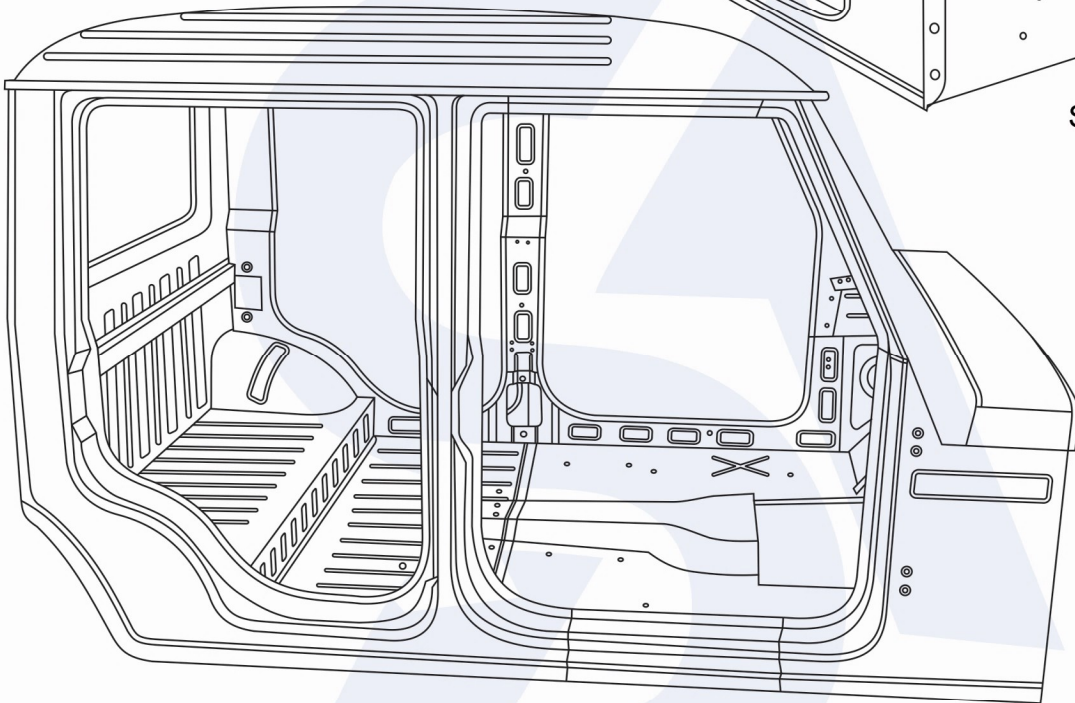


SAI 606 Side Foot Step

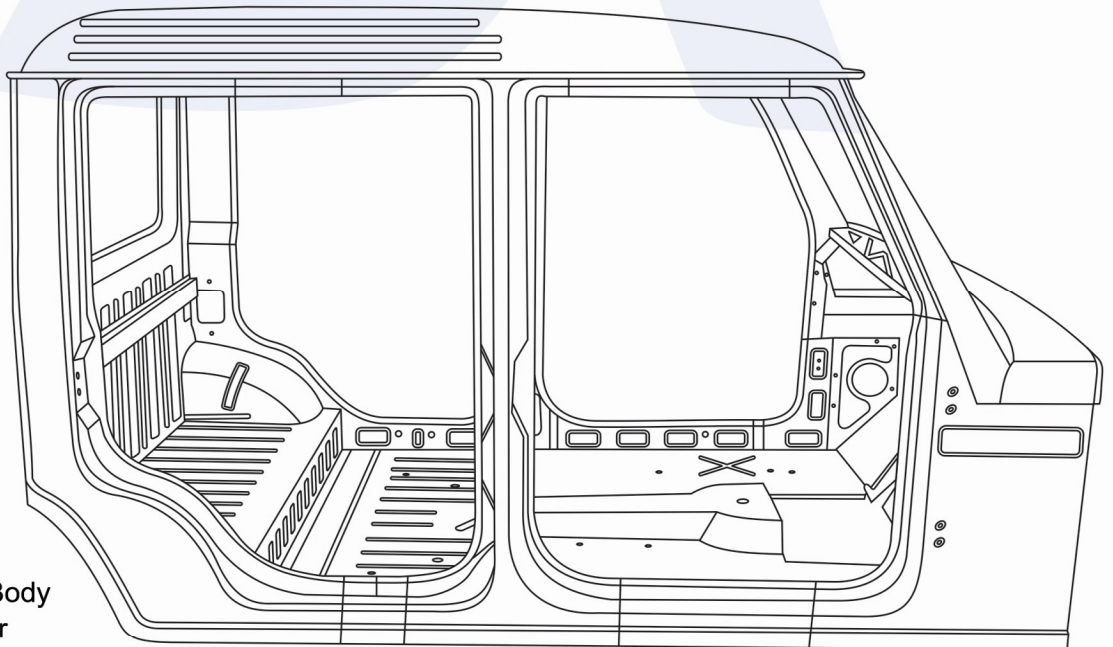
BOLERO CAMPER N/M O/M & UTILITY



SAI 607 Utility Body Assy.



**SAI 608 Full Body
Camper O/M**



**SAI 609 Full Body
Camper**

S.A. International



TOWARDS
MANUFACTURING
EXCELLENCE

TROLLY PARTS



www.sainternationalpro.com

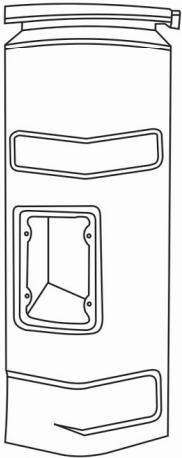
PICKUP TROLLY PARTS



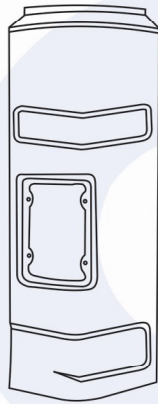
SAI 701 Tail Gate Assy.



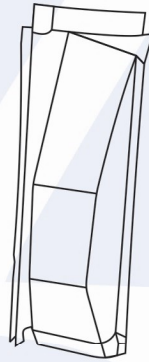
SAI 702 Tail Gate Cover



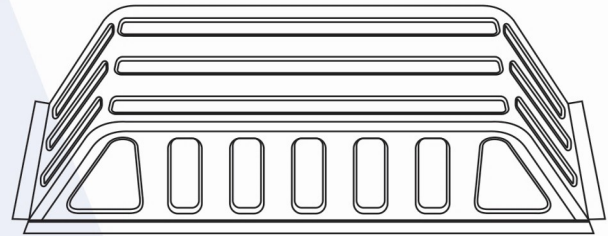
SAI 703 Tail Light Assy.



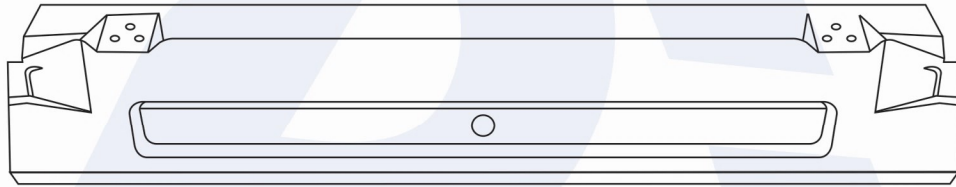
SAI 704 Tail Light Cover



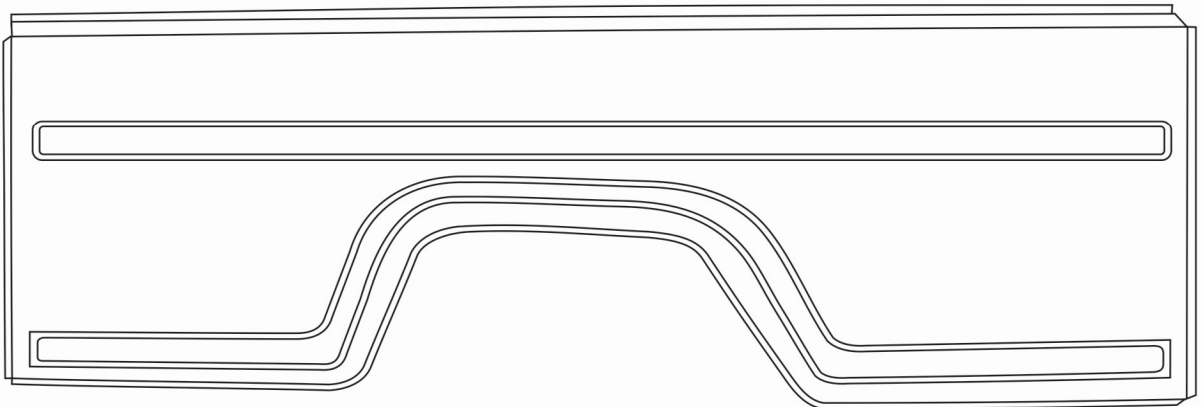
SAI 705 Tail Light Inner



SAI 706 Rear Tyre Gola

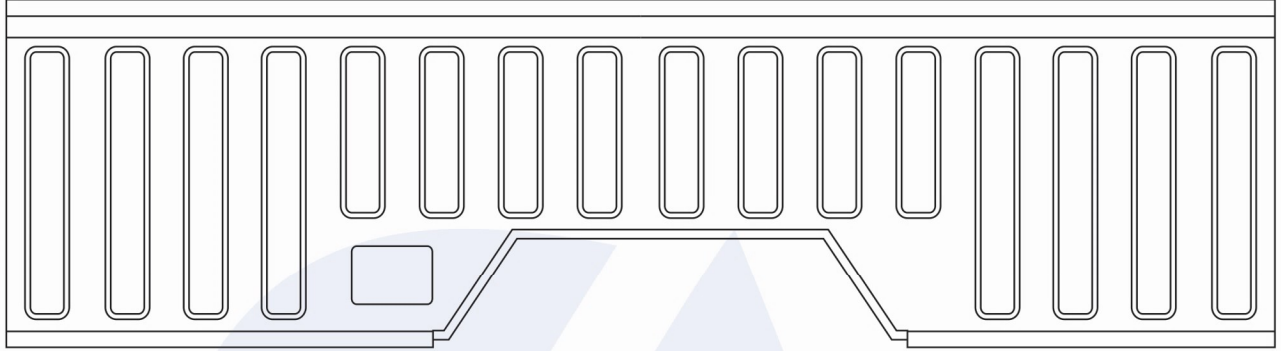


SAI 707 Tail Gate Panel

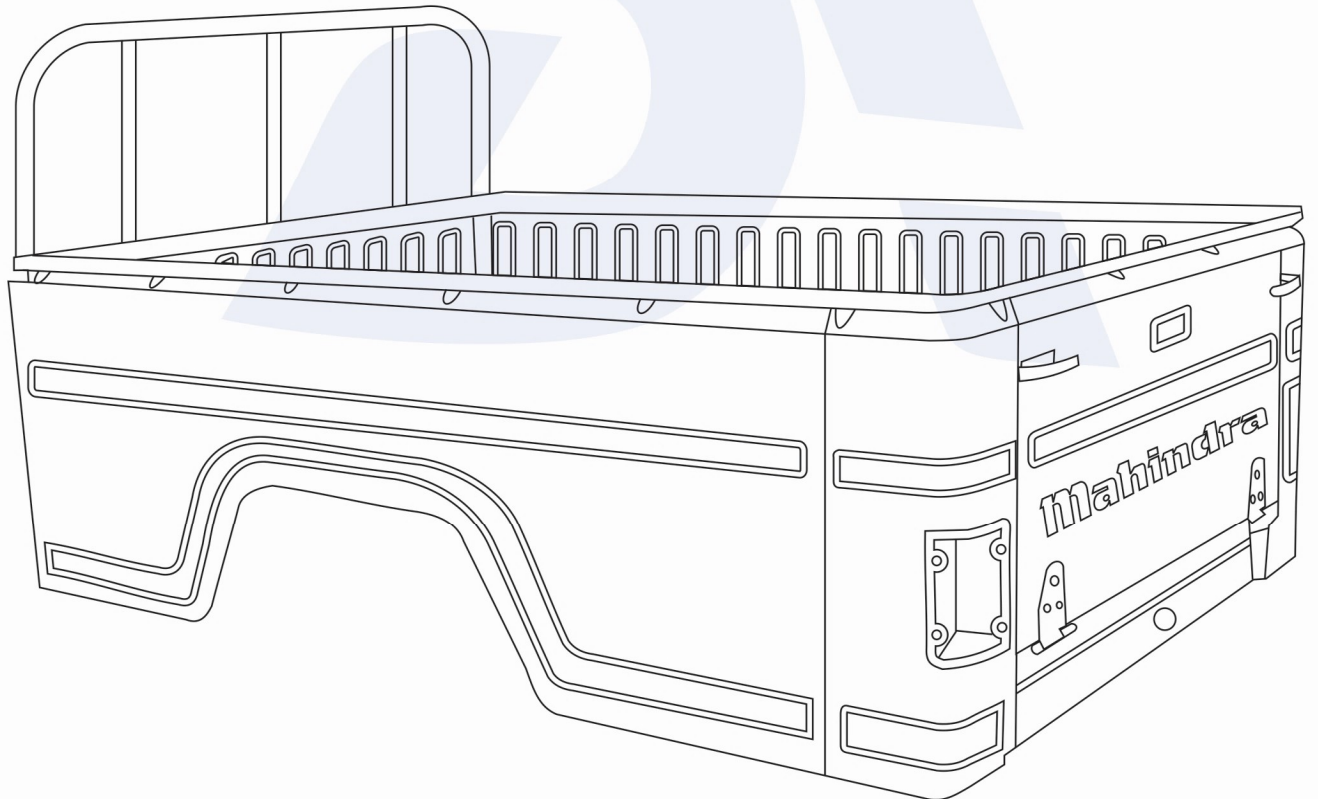


SAI 708 Rear Tray Side Outer

PICKUP TROLLY PARTS

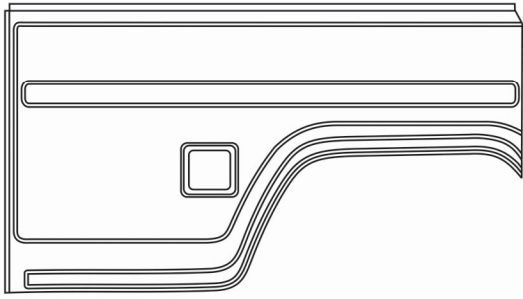


SAI 709 Rear Tray Side Inner

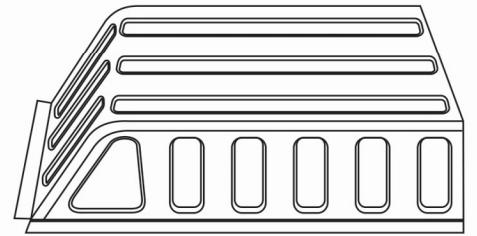


SAI 710 Rear Tray Assy.

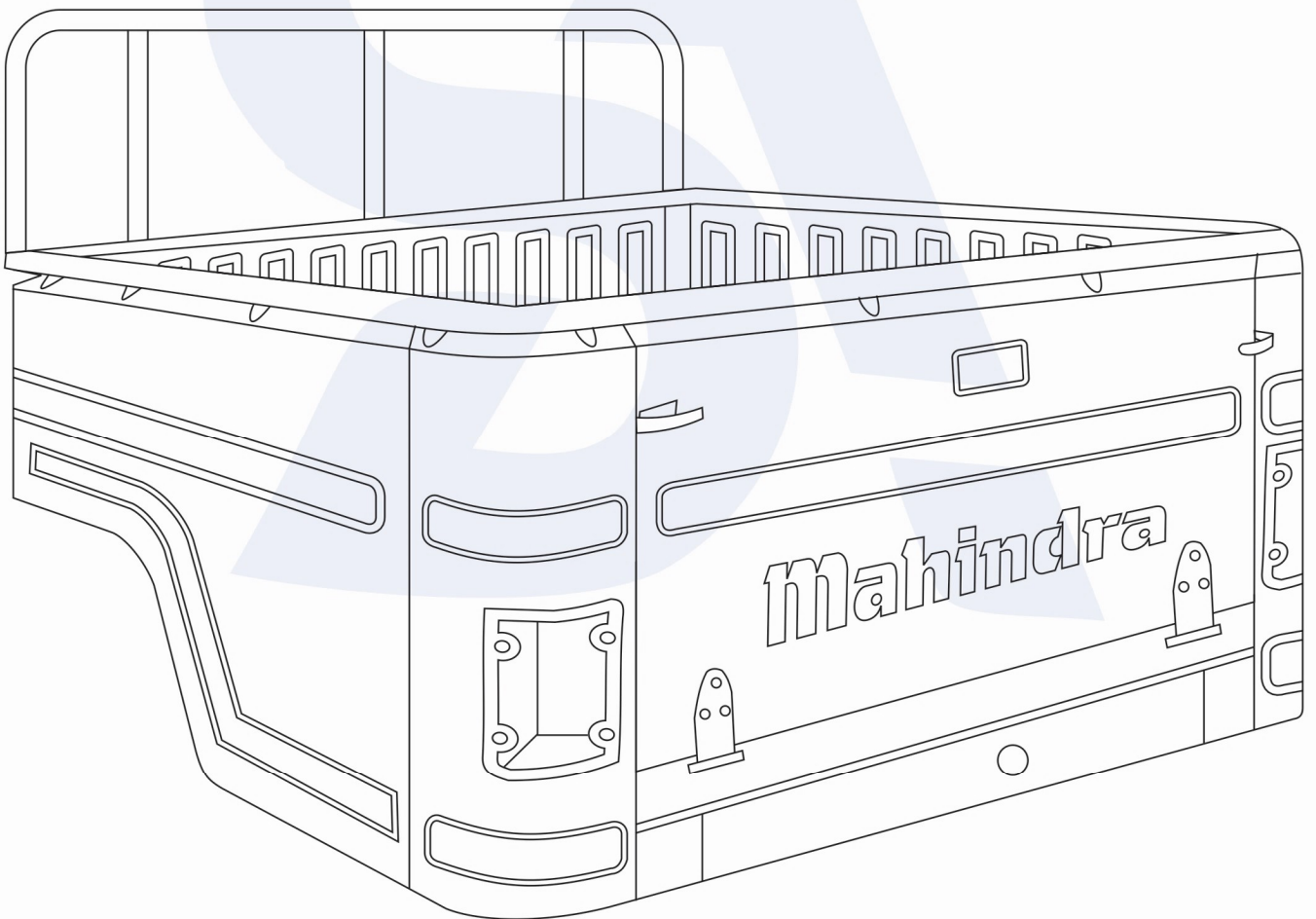
CAMPAR TROLLY PARTS



SAI 801 Rear Tray Side Outer

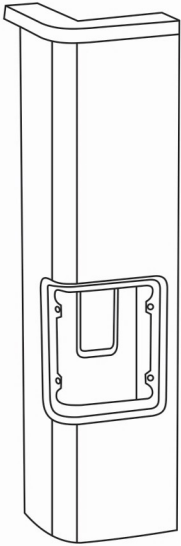


SAI 802 Rear Tyre Gola

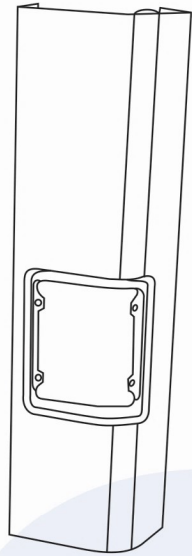


SAI 803 Rear Tray Assy.

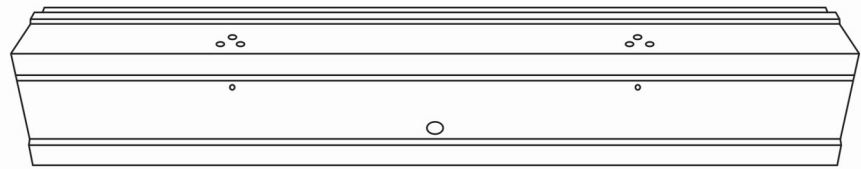
MAXX PICKUP TROLLY PARTS



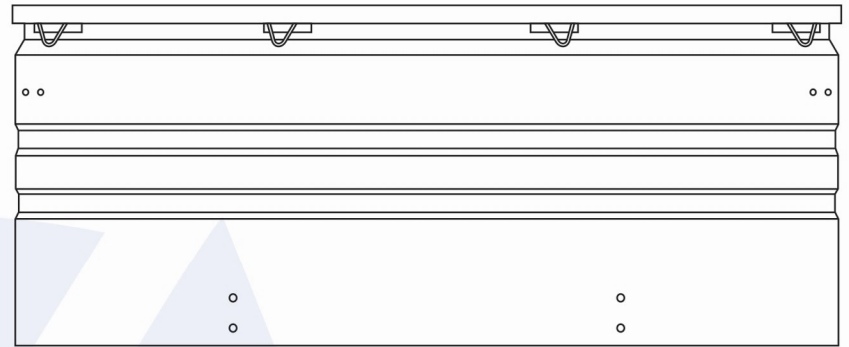
SAI 901 Rear Tail
Light Pcs. Assy.



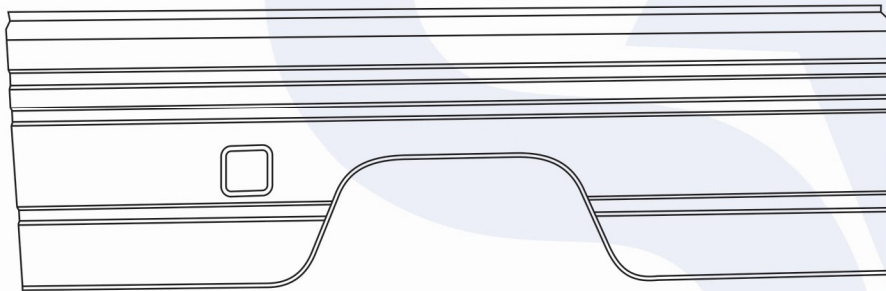
SAI 902 Rear Tail
Light Pcs. Cover



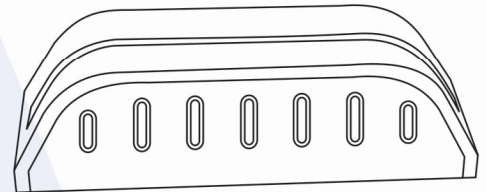
SAI 903 Tail Gate Panel



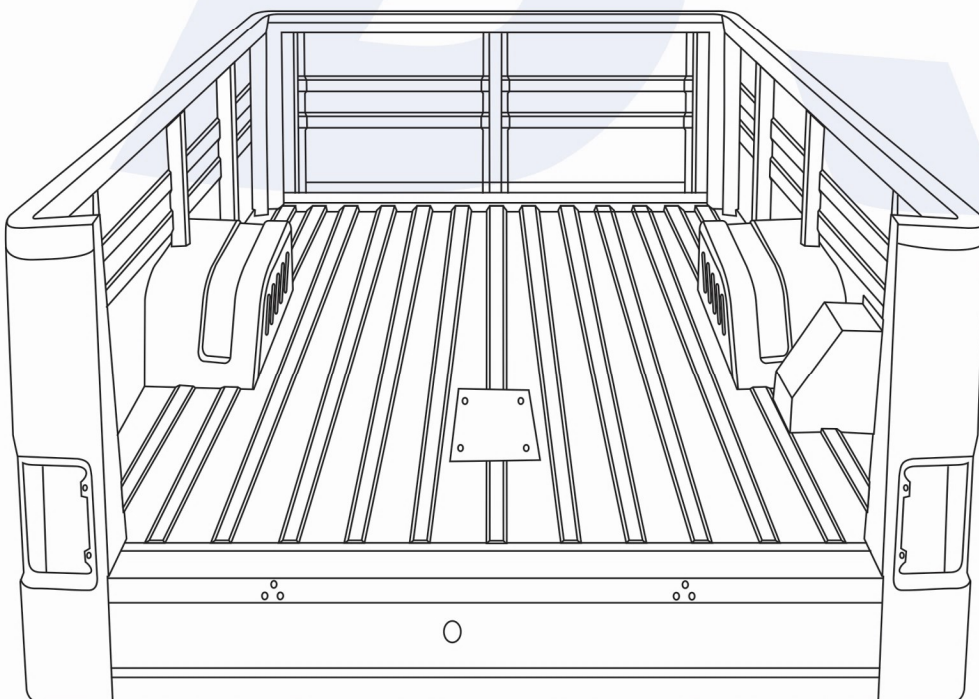
SAI 904 Tail Gate Assy.



SAI 905 Rear Tray Side Outer

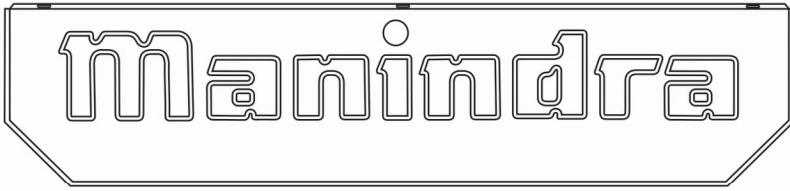


SAI 906 Rear Tyre Gola

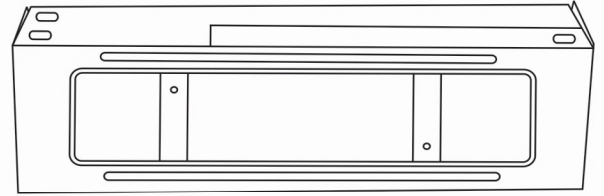


SAI 907 Rear Tray Assy.

FLATE PICKUP TROLLY PARTS



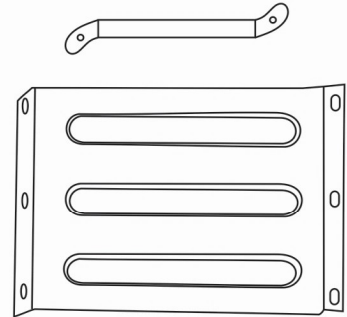
SAI 1001 Rear Mahindra Panel



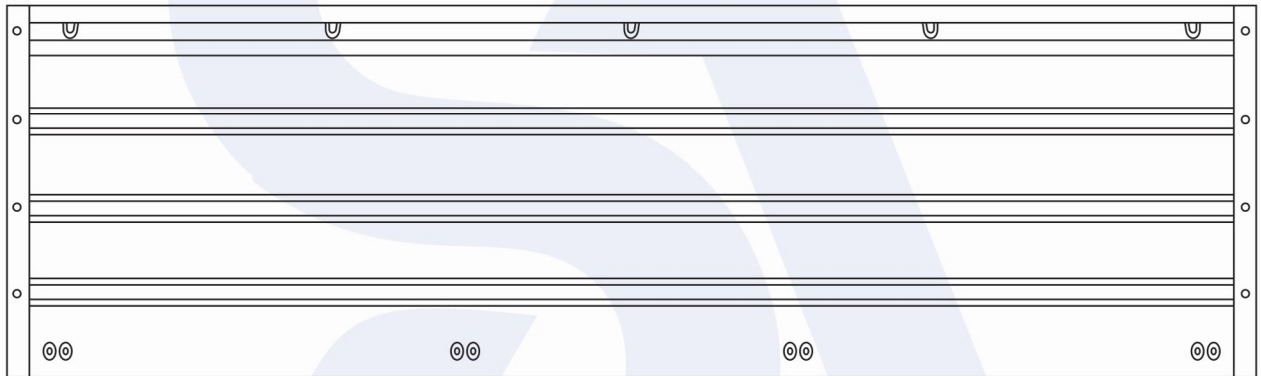
SAI 1002 Rear Tail Light Pcs. Assy.



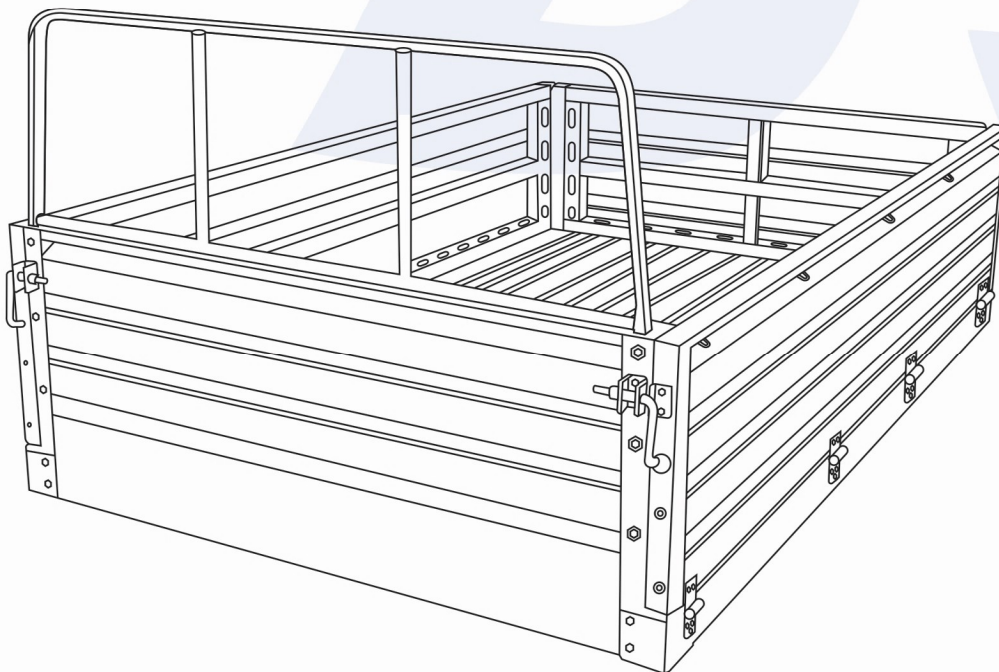
SAI 1003 Rear Tail Gate Assy.



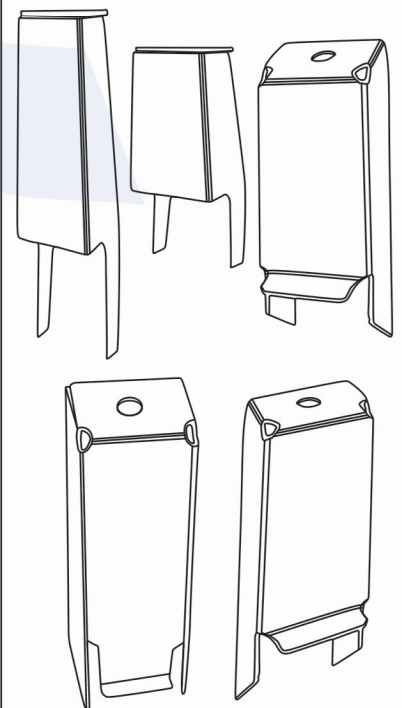
SAI 1004 Mudflap Plate



SAI 1005 Rear Side Panel Assy.

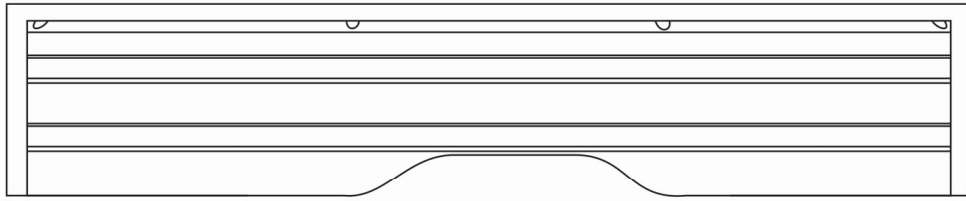


SAI 1006 Rear Tray Assy.

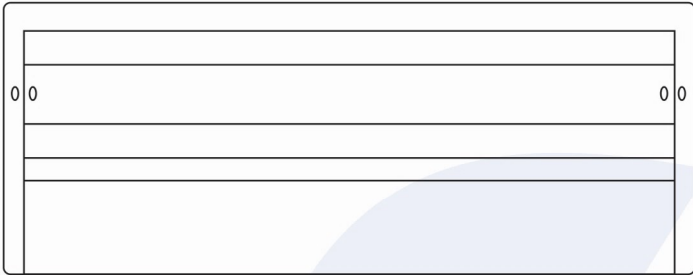


SAI 1007 Chassis Khobla (Set-12)

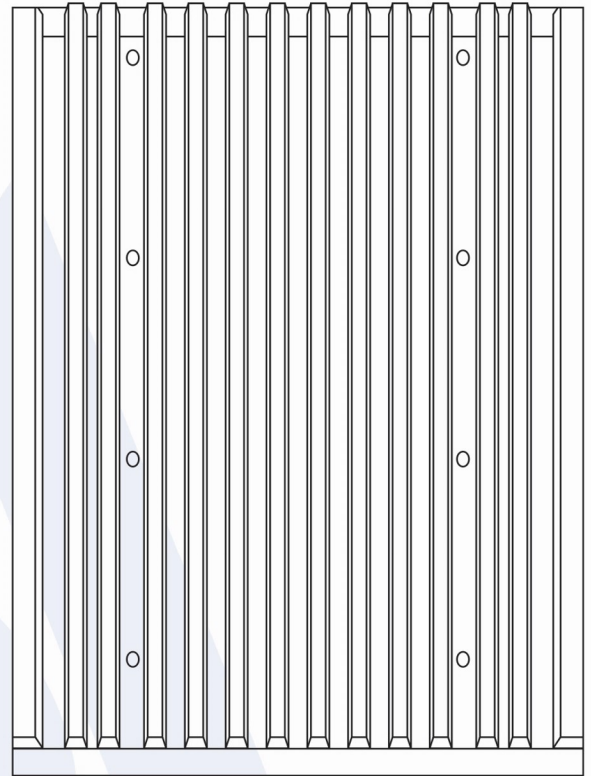
MAXI TRUCK TROLLY PARTS



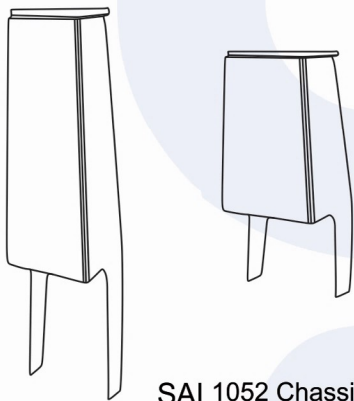
SAI 1050 Tray Side Assy.



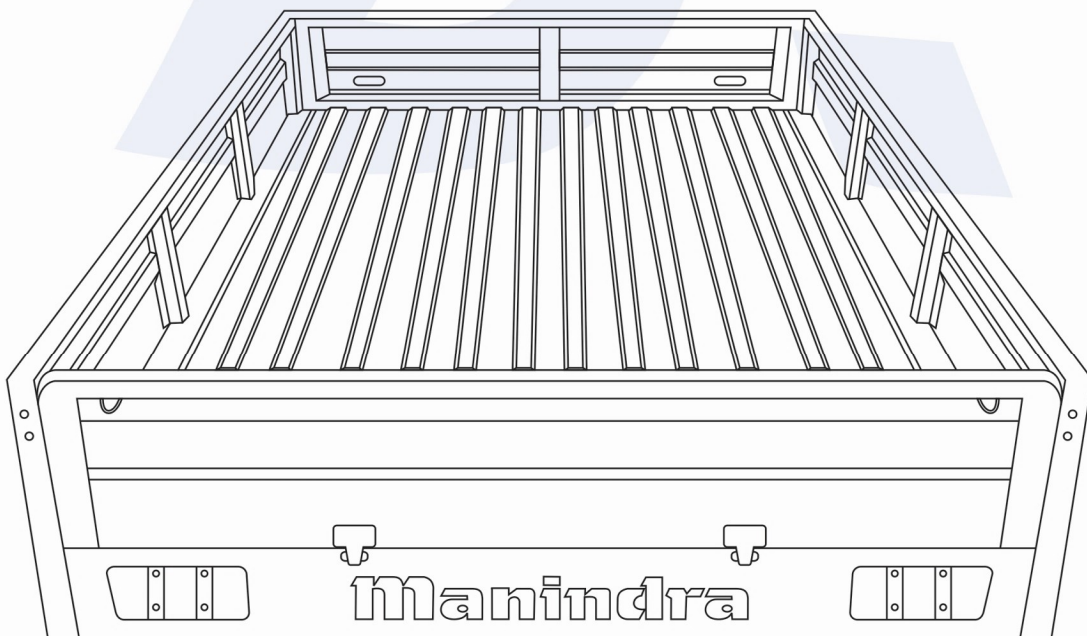
SAI 1051 Tail Gate Assy.



SAI 1053 Flooring Cover



SAI 1052 Chassis Khobla (Set-8)



SAI 1054 Rear Tray Assy.

S.A. International



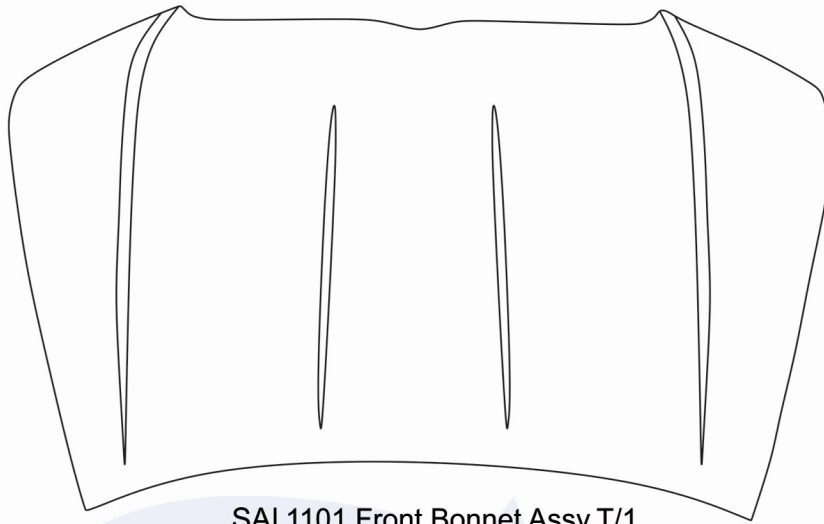
**TOWARDS
MANUFACTURING
EXCELLENCE**

SCORPIO

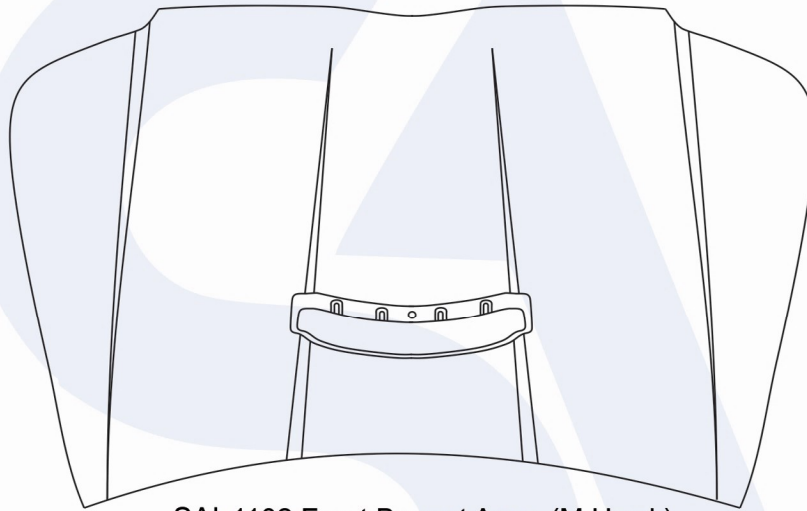


www.sainternationalpro.com

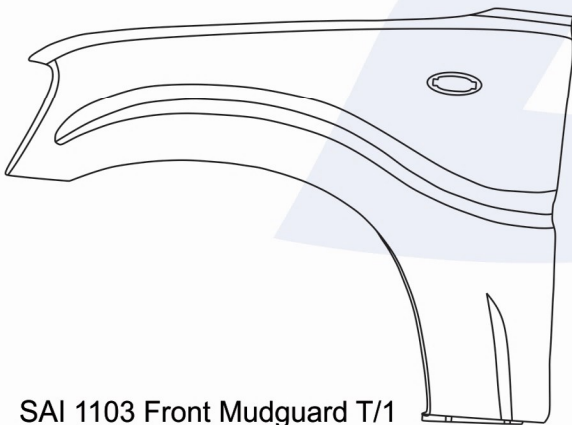
SCORPIO



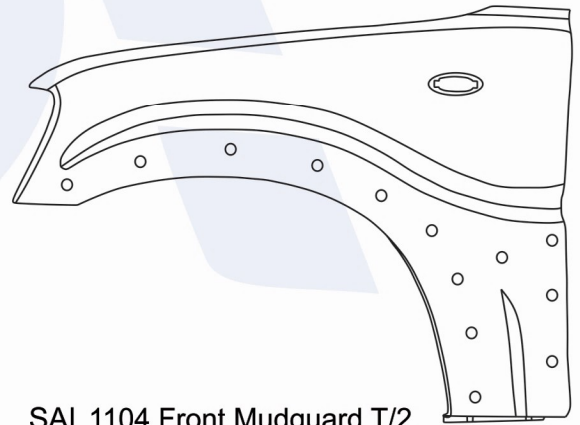
SAI 1101 Front Bonnet Assy.T/1



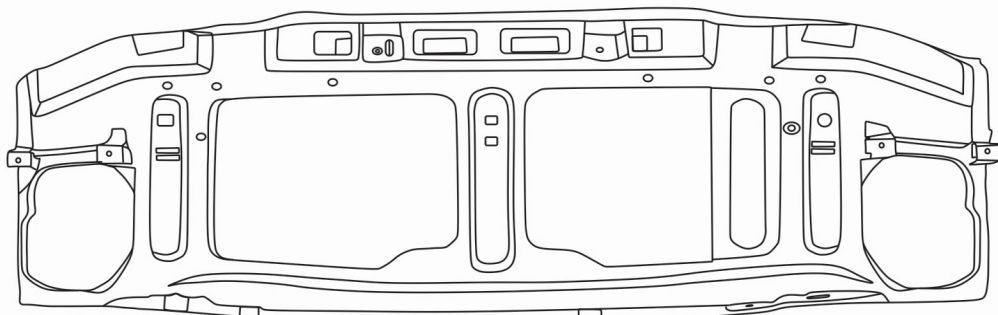
SAI 1102 Front Bonnet Assy. (M.Hawk)



SAI 1103 Front Mudguard T/1

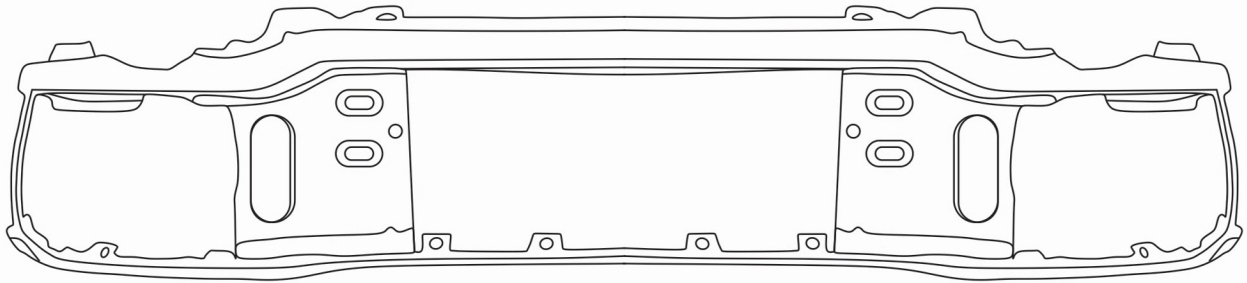


SAI 1104 Front Mudguard T/2

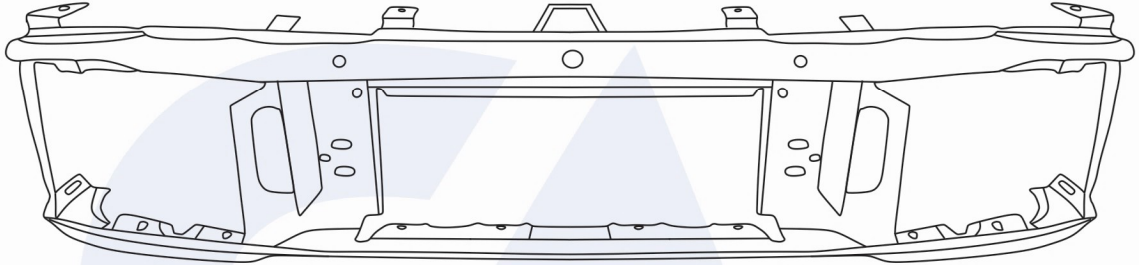


SAI 1105 Tie Member

SCORPIO



SAI 1106 Bumper Bracket T/1



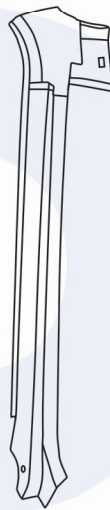
SAI 1107 Bumper Bracket (M.Hawk)



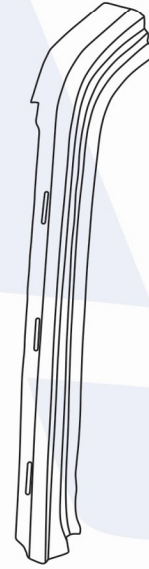
SAI 1108
Front Water
Channel



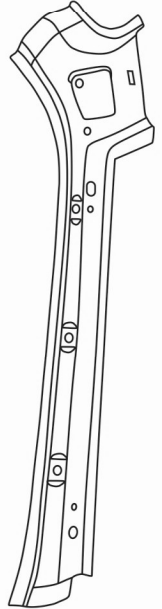
SAI 1109
Front Glass
Pillar Outer



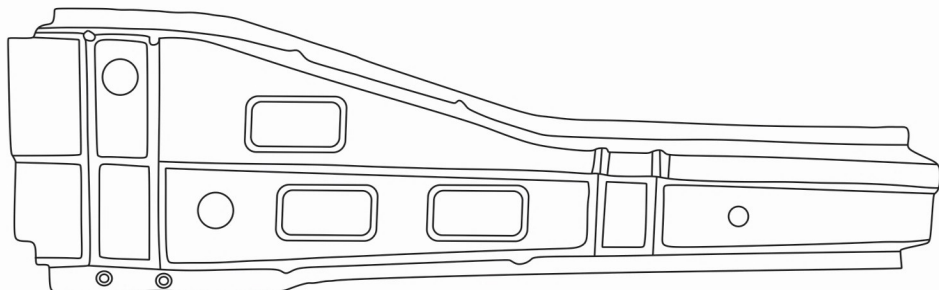
SAI 1110
Front Glass
Pillar Inner



SAI 1111
Front Glass
Pillar Assy.

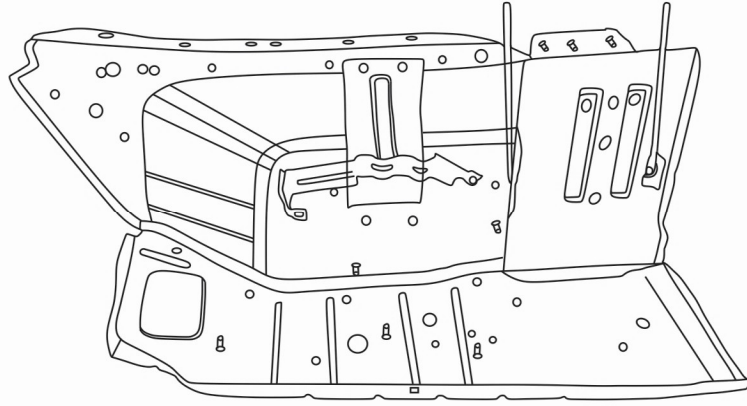


SAI 1112
Hockey Pillar

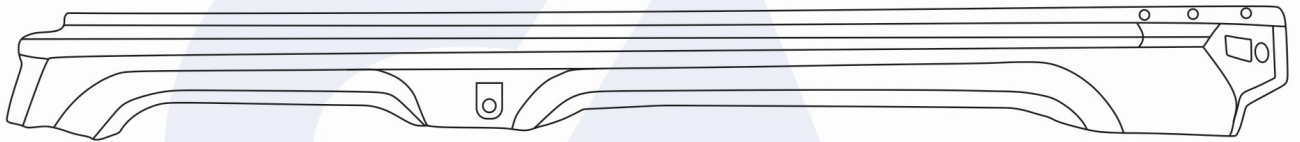


SAI 1113 Bandok Patra (Apron Patch)

SCORPIO



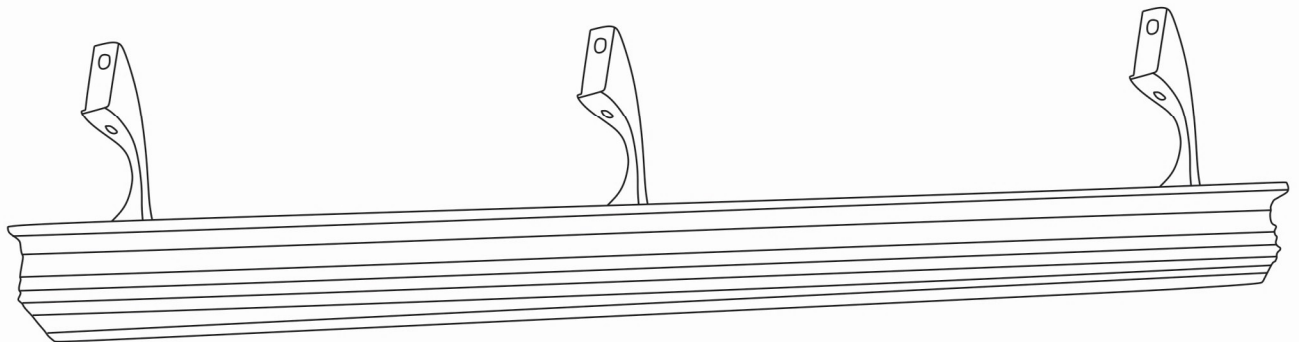
SAI 1114 Apron Assy.



SAI 1115 Front Running Board



SAI 1116 Side Foot Step



SAI 1117 Side Foot Step (M-Hawk)



S.A. International

EVERA
GROUP OF INDUSTRIES